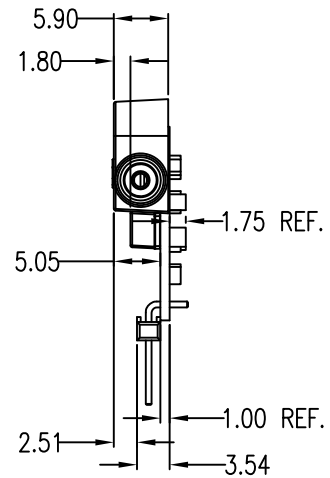
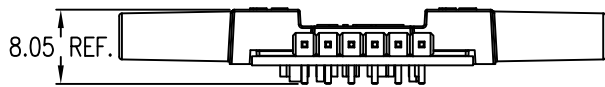


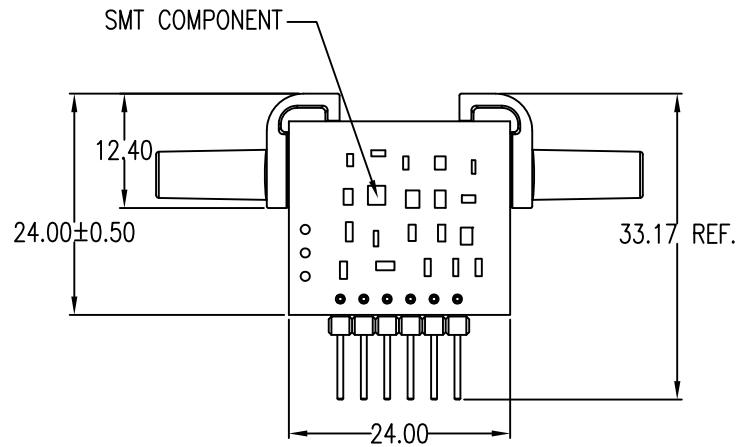
TOP VIEW



SIDE VIEW



SIDE VIEW



BOTTOM VIEW

NOTES:

1. ALL DIMENSIONING AND TOLERANCING CONFORM TO ANSI Y14.5M-1982
2. ALL DIMENSIONS ARE IN MILLIMETERS

Package Revision History		
Date Created	Rev No.	Description
Aug 11, 2017	Rev 01	Modify "NOTE"
Aug 4, 2017	Rev 00	Initial Release