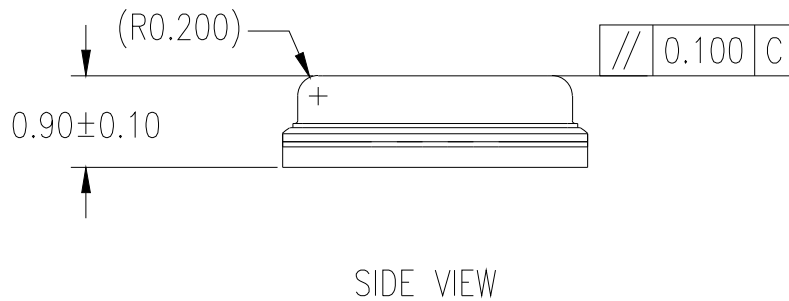
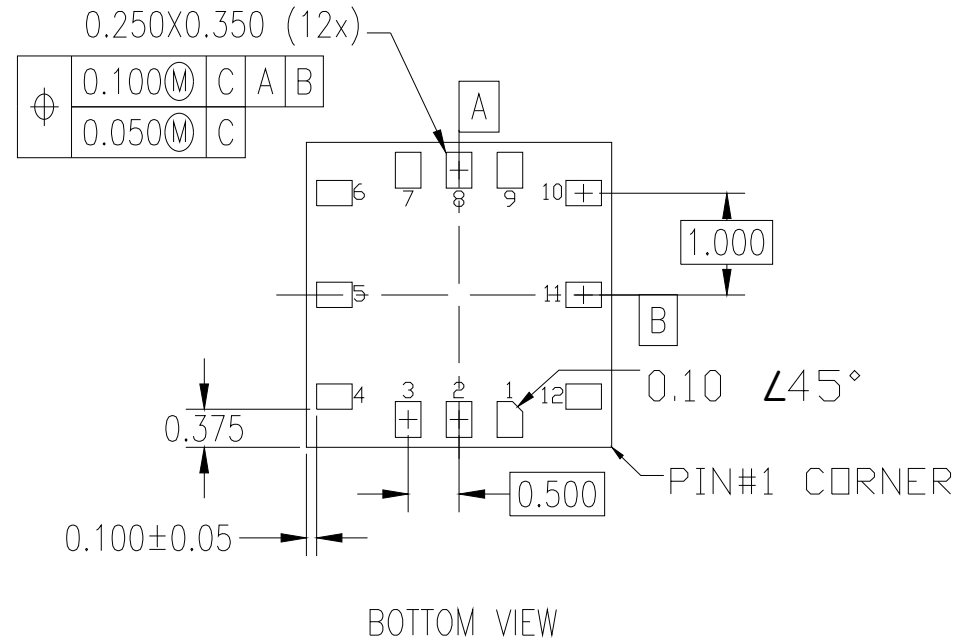
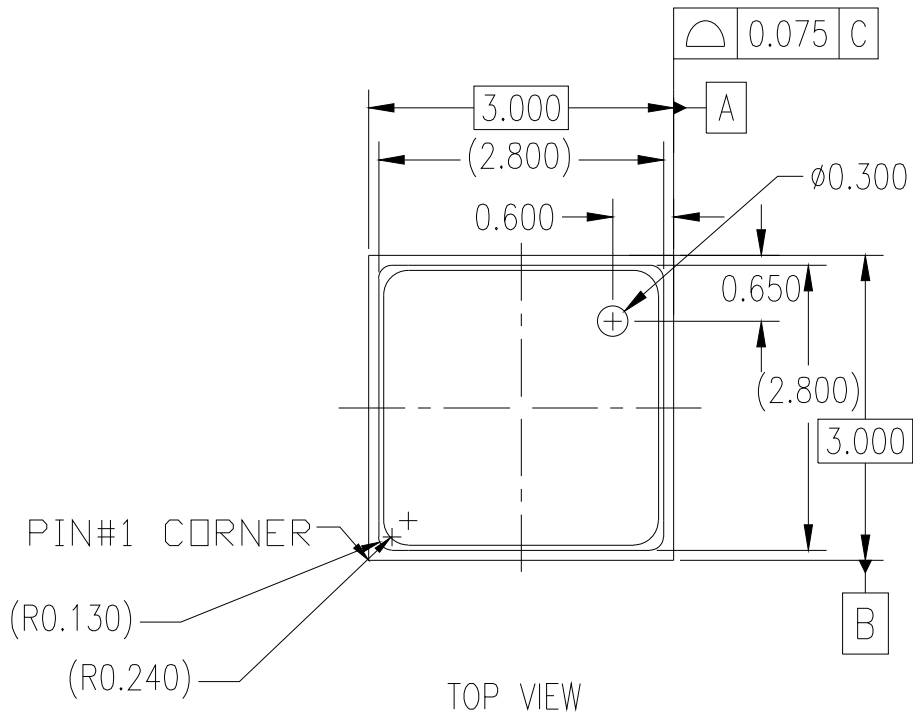



DATE		REVISIONS		
CREATED	REV	DESCRIPTION	AUTHOR	
8/9/17	00	Initial Release	JH	
2/14/19	01	Add Port Hole Location and Dimension	JH	

NOTE: Refer to Agile for official release date



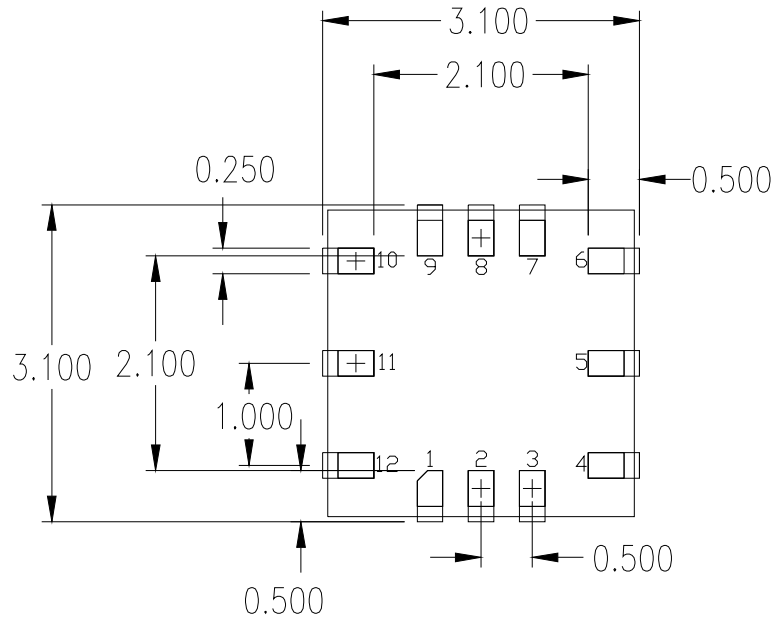
NOTES:

1. ALL DIMENSIONING AND TOLERANCING CONFORM TO ANSI Y14.5M-1982
2. ALL DIMENSION ARE IN MILLIMETERS

TOLERANCES UNLESS SPECIFIED		 6024 Silver Creek Valley Road San Jose, CA 95138 PHONE: (408) 284-8200 FAX: (408) 284-8591 www.IDT.com	
DECIMAL	ANGULAR	TITLE LGA-12, Package Outline Drawing 3.0 x 3.0 x 0.9 mm Body, 0.5 x 1.0 mm Pitch, LVG12	
XX±	±	SIZE	REV
XXX±		C	01
XXXX±		DRAWING No.	
		PSC-4708	
DO NOT SCALE DRAWING		SHEET 1 OF 2	

DATE	REVISIONS		
CREATED	REV	DESCRIPTION	AUTHOR
8/9/17	00	Initial Release	JH
2/14/19	01	Add Port Hole Location and Dimension	JH


NOTE: Refer to Agile for official release date



RECOMMENDED LAND PATTERN DIMENSION

NOTES:

1. ALL DIMENSION ARE IN MM. ANGLES IN DEGREES
2. TOP DOWN VIEW ON PCB
3. LAND PATTERN RECOMMENDATION PER IPC-7351B GENERIC REQUIREMENT FOR SURFACE MOUNT DESIGN AND LAND PATTERN

TOLERANCES UNLESS SPECIFIED		 6024 Silver Creek Valley Road San Jose, CA 95138 PHONE: (408) 284-8200 FAX: (408) 284-8591 www.IDT.com
DECIMAL	ANGULAR	
XX±	±	
XXX±		
XXXX±		
TITLE		LGA-12, Package Outline Drawing 3.0 x 3.0 x 0.9 mm Body, 0.5 x 1.0 mm Pitch, LVG12
SIZE	DRAWING No.	REV
C	PSC-4708	01
DO NOT SCALE DRAWING		SHEET 2 OF 2