

NOTE:

1. DIMENSIONING AND TOLERANCING CONFORM TO ASME Y14.5M-1994
2. ALL DIMENSIONS ARE IN MILLIMETERS ANGLES ARE IN DEGREES
3. PIN 1 LOCATION IS EITHER IDENTIFIED BY NOTCH OR CHAMFER

DATE		REVISIONS HISTORY	
CREATED	REV	DESCRIPTION	AUTHOR
1/30/09	00	INITIAL RELEASE	M.A
5/12/10	01	UPDATE TITLE	M.A
4/17/12	02	ADD TOLERANCE E & D	M.A
9/17/12	03	ADD A3 LEAD THICKNESS	CK LEE
11/28/12	04	ADD EPAD OPTION	RC
2/4/14	05	COMBINE POD & LAND PATTERN & REMOVE EPAD P2	J.H
6/1/17	06	ADD MINIMUM AND MAXIMUM VALUE FOR A1, STAND OFF	CK LEE
4/17/18	07	UPDATE 3 TO 2 PAGES, RECALCULATE LAND PATTERN	JH
6/26/18	08	REMOVE EPAD OPTION	CK LEE

NOTE: REFER TO DCP FOR OFFICIAL RELEASE DATE

TOLERANCES UNLESS OTHERWISE SPECIFIED
 DECIMAL :
 .X ±
 .XX ±
 .XXX ±
 ANGLE : ±
 ANGULAR : ±



6024 Silver Creek Valley Road,
 San Jose, CA 95138
 PHONE: (408) 284-8200
 FAX: (408) 284-3572

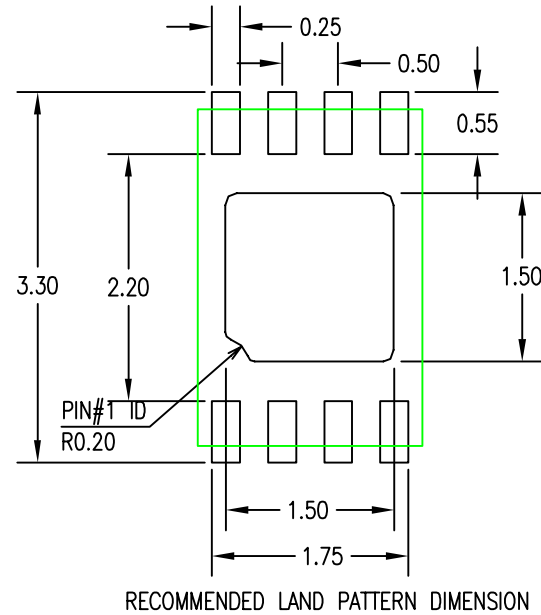
TITLE: NCG8 Package Outline Drawing
 2.0 x 3.0 x 0.75 mm Body
 0.5mm Pitch DFN

SIZE C	DRAWING NO. PSC-4244	REV 08
-----------	-------------------------	-----------

DO NOT SCALE DRAWING SHEET 1 OF 2


DATE		REVISIONS HISTORY	
CREATED	REV	DESCRIPTION	AUTHOR
1/30/09	00	INITIAL RELEASE	M.A
5/12/10	01	UPDATE TITLE	M.A
4/17/12	02	ADD TOLERANCE E & D	M.A
9/17/12	03	ADD A3 LEAD THICKNESS	CK LEE
11/28/12	04	ADD EPAD OPTION	RC
2/4/14	05	COMBINE POD & LAND PATTERN & REMOVE EPAD P2	J.H
6/1/17	06	ADD MINIMUM AND MAXIMUM VALUE FOR A1,STAND OFF	CK LEE
4/17/18	07	UPDATE 3 TO 2 PAGES,RECALCULATE LAND PATTERN	JH
6/26/18	08	REMOVE EPAD OPTION	CK LEE

NOTE: REFER TO DCP FOR OFFICIAL RELEASE DATE



NOTES:

1. ALL DIMENSIONS ARE IN MM. ANGLES IN DEGREES.
2. TOP DOWN VIEW. AS VIEWED ON PCB.
3. LAND PATTERN RECOMMENDATION PER IPC-7351B GENERIC REQUIREMENT FOR SURFACE MOUNT DESIGN AND LAND PATTERN.
4. COMPONENT OUTLINE SHOW FOR REFERENCE IN GREEN.

TOLERANCES UNLESS OTHERWISE SPECIFIED		 8024 Silver Creek Valley Road, San Jose, CA 95138 PHONE: (408) 284-8200 FAX: (408) 284-3572
DECIMAL :	.X ± .XX ± .XXX ±	
ANGLE :	±	www.IDT.com
ANGULAR :	±	TITLE: NCC8 Package Outline Drawing 2.0 x 3.0 x 0.75 mm Body 0.5mm Pitch DFN
SIZE	DRAWING NO.	REV
C	PSC-4244	08
DO NOT SCALE DRAWING		SHEET 2 OF 2