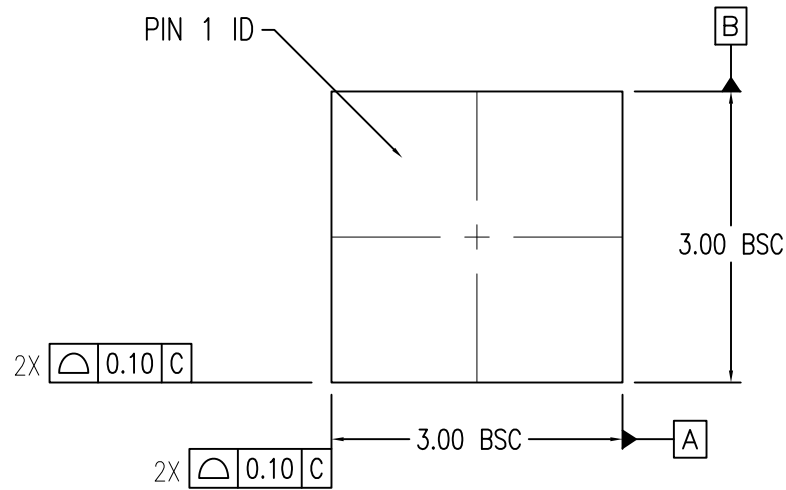
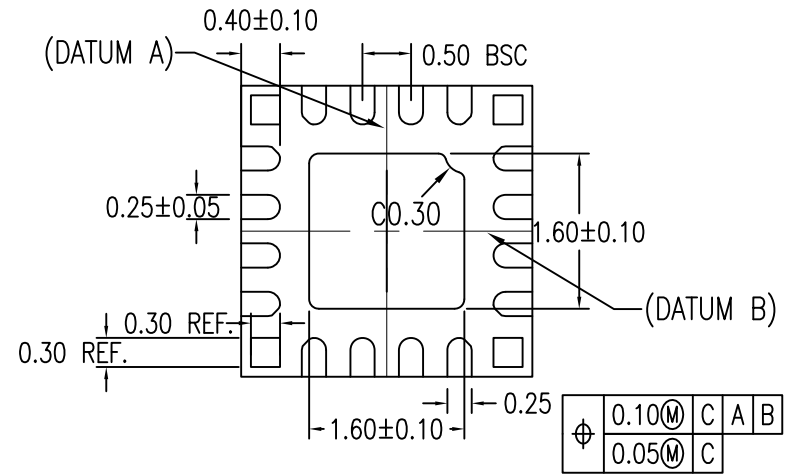


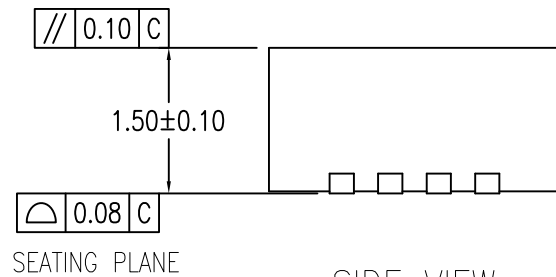
DATE		REVISIONS		
CREATED	REV	DESCRIPTION	AUTHOR	
4/28/17	00	INITIAL RELEASE	JH	
NOTE: REFER TO DCP FOR OFFICIAL RELEASE DATE				



TOP VIEW




BOTTOM VIEW

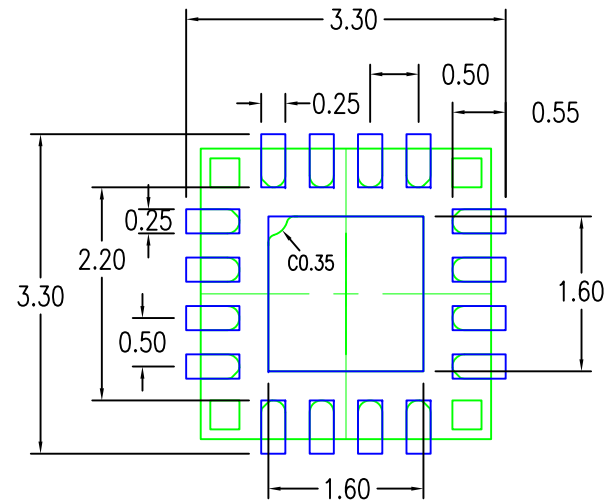


SIDE VIEW

NOTES:
1. ALL DIMENSIONS ARE IN MM. ANGLES IN DEGREES.

TOLERANCES UNLESS SPECIFIED		 6024 Silver Creek Valley Road San Jose, CA 95138 PHONE: (408) 284-8200 FAX: (408) 284-8591 www.IDT.com	
DECIMAL	ANGULAR		
XX±	±	TITLE NGG16 PACKAGE OUTLINE QFN, 3.0 x 3.0 mm BODY 0.5 mm PITCH, EP 1.60 mm SQ.	
XXX±			
XXXX±			
SIZE	DRAWING No.	REV	
C	PSC-4692	00	
DO NOT SCALE DRAWING		SHEET 1 OF 2	


DATE CREATED	REVISIONS		
	REV	DESCRIPTION	AUTHOR
4/28/17	00	INITIAL RELEASE	JH
NOTE: REFER TO DCP FOR OFFICIAL RELEASE DATE			



RECOMMENDED LAND PATTERN

NOTES:

1. ALL DIMENSIONS ARE IN MM. ANGLES IN DEGREES.
2. TOP DOWN VIEW AS VIEWED ON PCB.
3. COMPONENT OUTLINE SHOWS FOR REFERENCE IN GREEN.
4. LAND PATTERN IN BLUE. NSMD PATTERN ASSUMED.
5. LAND PATTERN RECOMMENDATION PER IPC-7351B GENERIC REQUIREMENT FOR SURFACE MOUNT DESIGN AND LAND PATTERN.

TOLERANCES UNLESS SPECIFIED		 6024 Silver Creek Valley Road San Jose, CA 95138 PHONE: (408) 284-8200 FAX: (408) 284-8591 www.IDT.com
DECIMAL	ANGULAR	
XX±	±	
XXX±		
XXXX±		
TITLE NGG16 PACKAGE OUTLINE QFN, 3.0 x 3.0 mm BODY 0.5 mm PITCH, EP 1.60 mm SQ.		
SIZE	DRAWING No.	REV
C	PSC-4692	00
DO NOT SCALE DRAWING		SHEET 2 OF 2