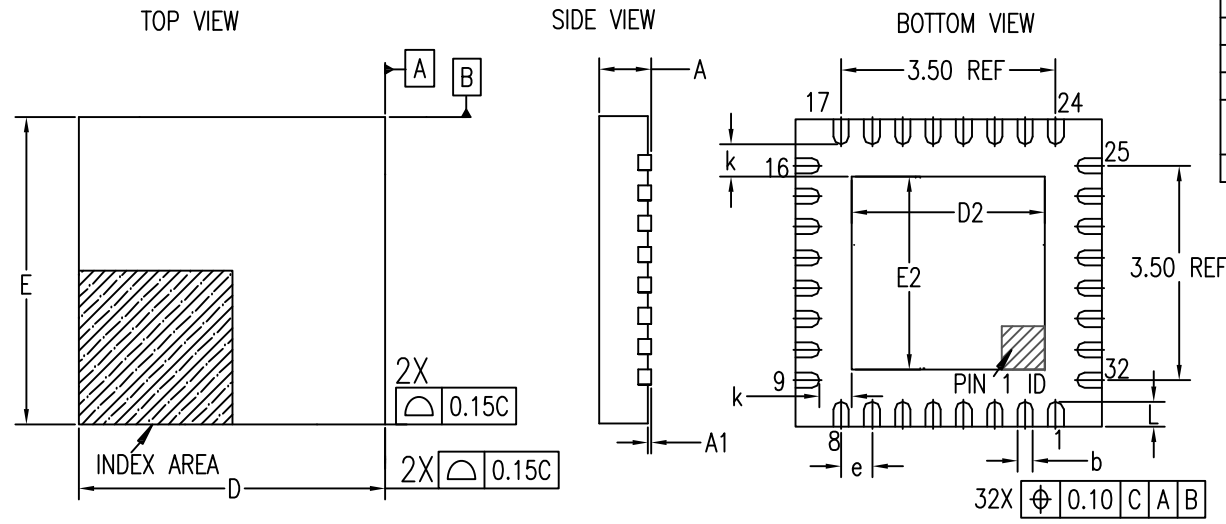


REVISIONS			
DATE CREATED	REV	DESCRIPTION	AUTHOR
12/20/06	00	INITIAL RELEASE	PKP
6/17/09	01	ADD PAGE 2 CHANGE DIM THICKNESS	R.T
10/31/12	02	REMOVE PAGE 2	R.C
11/29/12	03	ADD EPAD OPTION	R.C
08/30/13	04	COMBINE POD & LAND PATTERN	KS
6/18/14	05	ADD PIN ID OPTION PAGE 1	J.HUA
6/15/16	06	ADDED EPAD P3	J.HUA
4/11/18	07	COMBINE P1 & P3 IN ONE ADD NEW P3,P4,P5 ADD PIN 1 LOCATION, RECALCULATE LAND PATTERN	RC

NOTE: REFER TO DCP FOR OFFICIAL RELEASE DATE

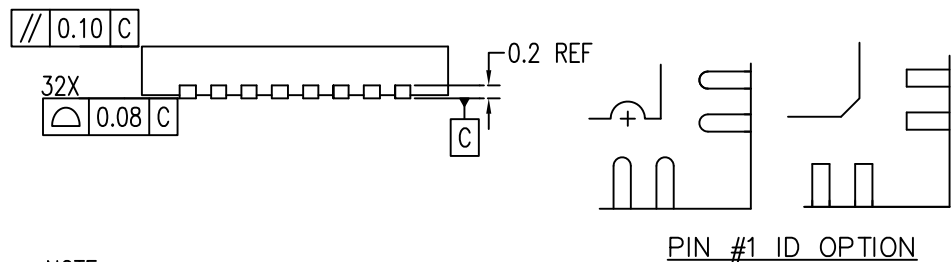


COMMON DIMENSION

SYMBOL	DIMENSION		
	MIN	NOM	MAX
b	0.18	0.25	0.30
D	5.00 BSC		
E	5.00 BSC		
D2	SEE EPAD OPTION		
E2	SEE EPAD OPTION		
L	0.30	0.40	0.50
e	0.50 BSC		
A1	0.00	0.02	0.05
A3	0.2 REF		

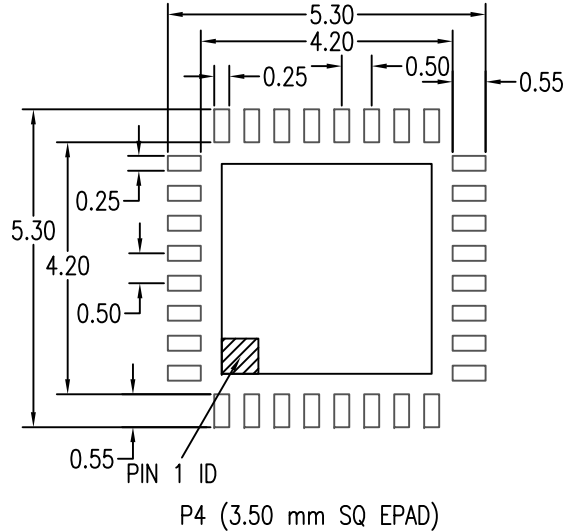
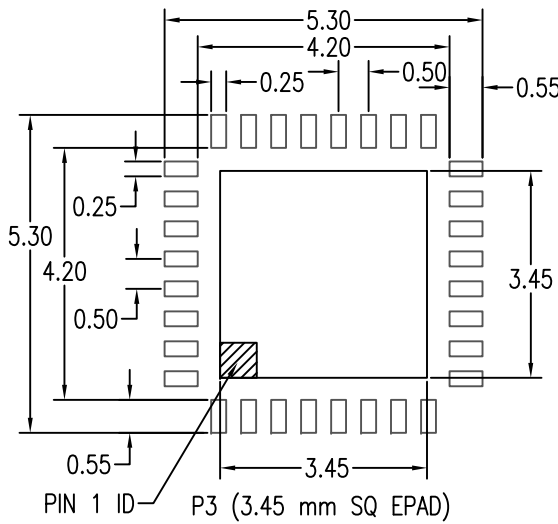
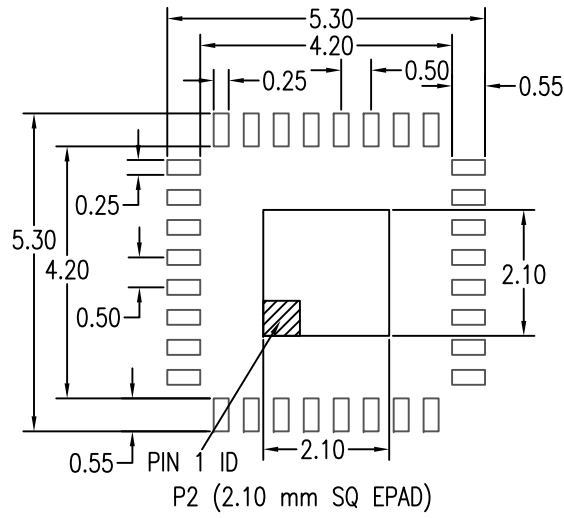
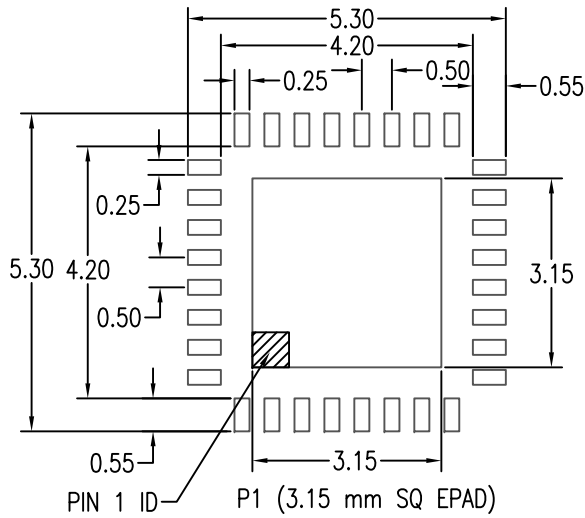
EPAD OPTION:

SYMBOL	P1			P2			P3			P4			P5		
	MIN	NOM	MAX	MIN	NOM	MAX	MIN	NOM	MAX	MIN	NOM	MAX	MIN	NOM	MAX
D2	3.00	3.15	3.30	1.95	2.10	2.25	3.35	3.45	3.55	3.40	3.50	3.60	3.60	3.70	3.80
E2	3.00	3.15	3.30	1.95	2.10	2.25	3.35	3.45	3.55	3.40	3.50	3.60	3.60	3.70	3.80
A	0.80	0.90	1.00	0.80	0.90	1.00	0.80	0.85	0.90	0.80	0.85	0.90	0.80	0.85	0.90
k	0.525			1.05			0.375			0.35			0.25		



- NOTE:
1. ALL DIMENSION ARE IN MM. ANGLES IN DEGREES.
 2. COPLANARITY APPLIE TO THE EXPOSED PAD AS WELL AS THE TERMINALS. COPLANARITY SHALL NOT EXCEED 0.08 MM.
 3. WARPAGE SHALL NOT EXCEED 0.10 MM.
 4. PIN LOCATION IS UNIDENTIFIED BY EITHER CHAMFER OR NOTCH.

TOLERANCES UNLESS SPECIFIED DECIMAL ANGULAR X± .1 ±1° XX± .05 XXX± .030			6024 Silver Creek Valley Rd San Jose, CA 95138 PHONE: (408) 284-8200 FAX: (408) 284-3572
	www.IDT.com		
TITLE NLG32 Package Outline Drawing 5.0 x 5.0 mm Body 0.50mm Pitch VFQFPN			
SIZE C	DRAWING No. PSC-4171		REV 07
DO NOT SCALE DRAWING			SHEET 1 OF 2



RECOMMENDED LAND PATTERN DIMENSION

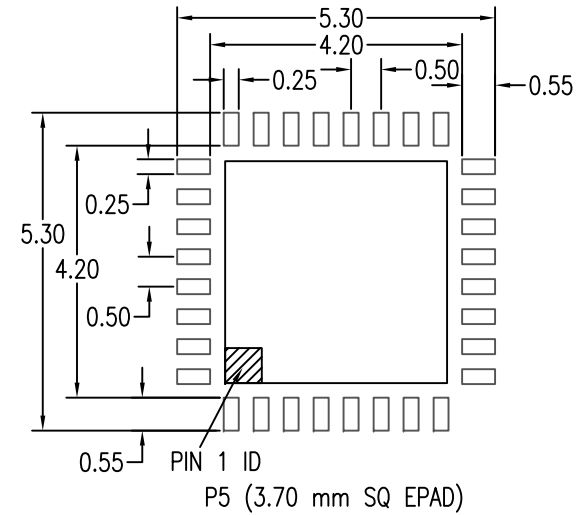
NOTES:

1. ALL DIMENSION ARE IN MM. ANGLES IN DEGREES.
2. TOP DOWN VIEW. AS VIEWED ON PCB.
3. LAND PATTERN RECOMMENDATION PER IPC-7351B GENERIC REQUIREMENT FOR SURFACE MOUNT DESIGN AND LAND PATTERN.

REVISIONS

DATE CREATED	REV	DESCRIPTION	AUTHOR
12/20/06	00	INITIAL RELEASE	PKP
6/17/09	01	ADD PAGE 2 CHANGE DIM THICKNESS	R.T
10/31/12	02	REMOVE PAGE 2	R.C
11/29/12	03	ADD EPAD OPTION	R.C
08/30/13	04	COMBINE POD & LAND PATTERN	KS
6/18/14	05	ADD PIN ID OPTION PAGE 1	J.HUA
6/15/16	06	ADDED EPAD P3	J.HUA
4/11/18	07	COMBINE P1 & P3 IN ONE ADD NEW P3,P4,P5 ADD PIN 1 LOCATION,RECALCULATE LAND PATTERN	RC

NOTE: REFER TO DCP FOR OFFICIAL RELEASE DATE



TOLERANCES
UNLESS SPECIFIED
DECIMAL ANGULAR
X± .1 ±1°
XX± .05
XXX± .030



6024 Silver Creek Valley Rd
San Jose, CA 95138
PHONE: (408) 284-8200
FAX: (408) 284-3572

TITLE NLG32 Package Outline Drawing
5.0 x 5.0 mm Body
0.50mm Pitch VFQFPN

SIZE	DRAWING No.	REV
C	PSC-4171	07

DO NOT SCALE DRAWING

SHEET 2 OF 2