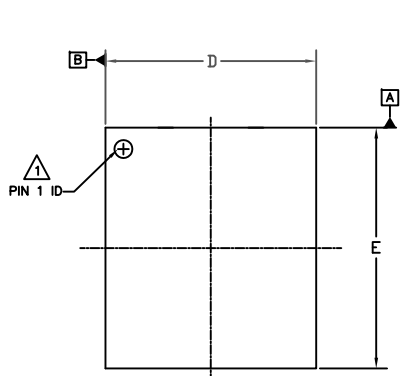
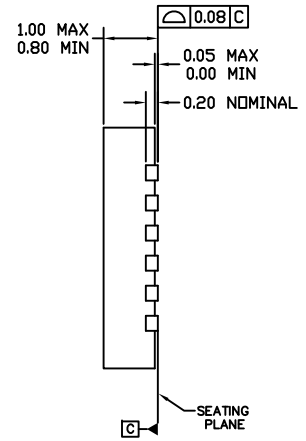


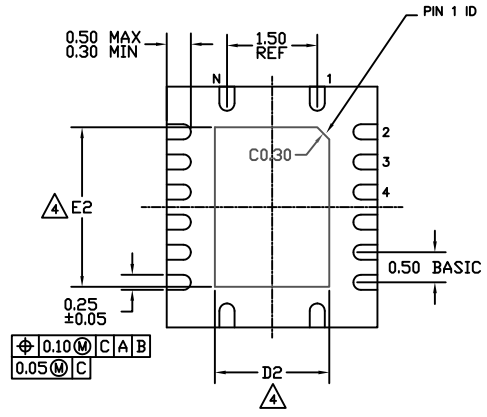
REVISIONS			
REV	DESCRIPTION	DATE	APPROVED
00	INITIAL RELEASE	6/3/16	JH



TOP VIEW




SIDE VIEW



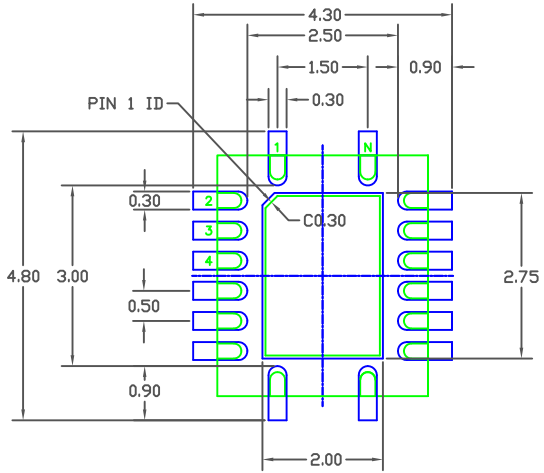
BOTTOM VIEW

SYMBOL	DIMENSION			NOTE
	MIN.	NOM.	MAX.	
N	16			2
D	3.35	3.50	3.65	
E	3.85	4.00	4.15	
D2	1.80	1.90	2.00	4
E2	2.55	2.65	2.75	4

- NOTES:
- △ EXACT SHAPE AND SIZE OF THIS FEATURE IS OPTIONAL.
 - N IS THE NUMBER OF TERMINALS.
 - ALL DIMENSIONS ARE IN MILLIMETERS.
 - △ DIMENSIONS D1 & E1 VARY DEPENDING ON DEVICE., SUPPLIER, ETC.


TOLERANCES UNLESS SPECIFIED DECIMAL ANGULAR X± .1 ±1° XX± .05 XXX± .030		 6024 SILVER CREEK VALLEY ROAD. SAN JOSE, CA 95138 PHONE: (408) 284-8200 FAX: (408) 284-3572 www.IDT.com	
APPROVALS	DATE	TITLE	
	02/10/03	NRG16 PACKAGE OUTLINE	
CHECKED		3.5 X 4.0 mm BODY, EPAD 1.90 x 2.65mm VFQFP-N	
		SIZE	REV
		C	00
		DRAWING No.	
		PSC-4119-01	
DO NOT SCALE DRAWING			SHEET 1 OF 2

REVISIONS			
REV	DESCRIPTION	DATE	APPROVED
00	INITIAL RELEASE	6/3/16	JH



RECOMMENDED LAND PATTERN DIMENSION

- NOTES:
1. ALL DIMENSIONS ARE IN mm. ANGLES IN DEGREES.
 2. TOP DOWN VIEW, AS VIEWED ON PCB.
 3. COMPONENT OUTLINE SHOWS FOR REFERENCE IN GREEN.
 4. LAND PATTERN IN BLUE. NSMD PATTERN ASSUMED.
 5. LAND PATTERN RECOMMENDATION PER IPC-7351B GENERIC REQUIREMENT FOR SURFACE MOUNT DESIGN AND LAND PATTERN.

TOLERANCES UNLESS SPECIFIED DECIMAL ANGULAR X± .1 ±1° XX± .05 XXX± .030		 6024 SILVER CREEK VALLEY ROAD, SAN JOSE, CA 95138 PHONE: (408) 284-8200 FAX: (408) 284-3572 www.IDT.com	
APPROVALS	DATE	TITLE	
	02/10/03	NRG16 PACKAGE OUTLINE	
CHECKED		3.5 X 4.0 mm BODY, EPAD 1.90 x 2.65mm VFQFP-N	
		SIZE	DRAWING No.
		C	PSC-4119-01
			REV
			00
DO NOT SCALE DRAWING			SHEET 2 OF 2