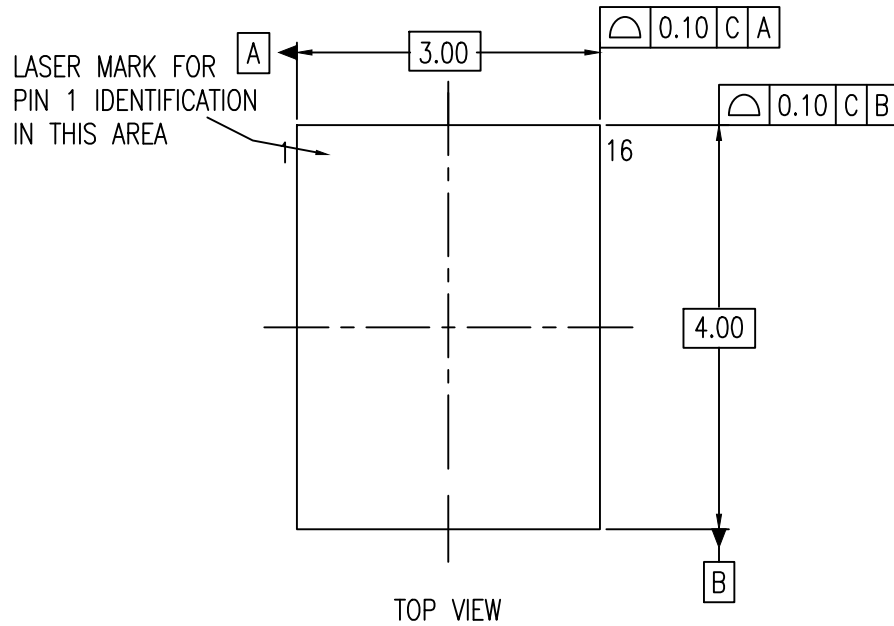
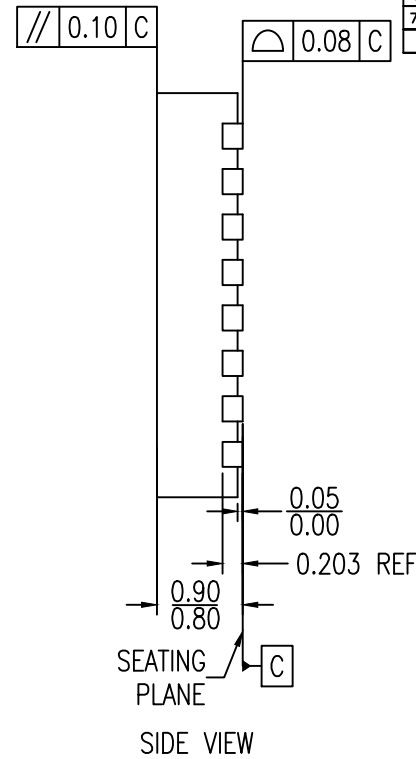


REVISIONS			
DATE CREATED	REV	DESCRIPTION	APPROVED
2/5/18	00	INITIAL RELEASE	CK LEE
7/26/18	01	CHANGE LAND PATTERN DIMENSION	CK LEE

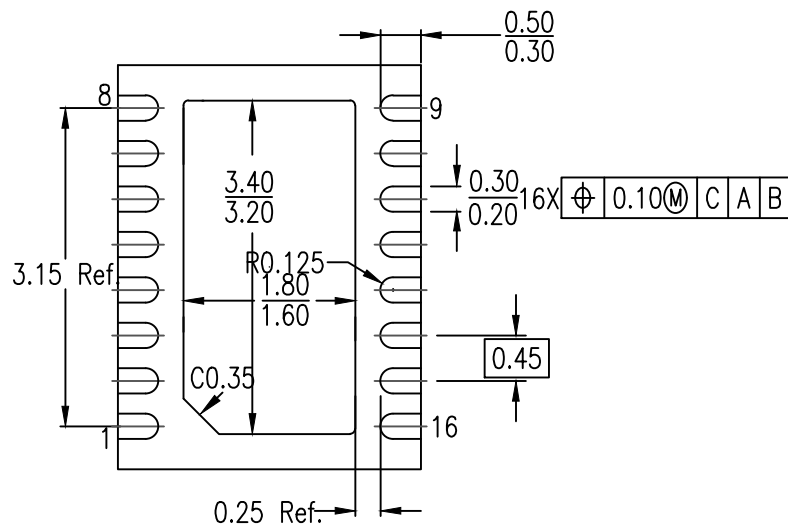
NOTE: REFER TO DCP FOR OFFICIAL RELEASE DATE



TOP VIEW




SIDE VIEW



BOTTOM VIEW

NOTES :

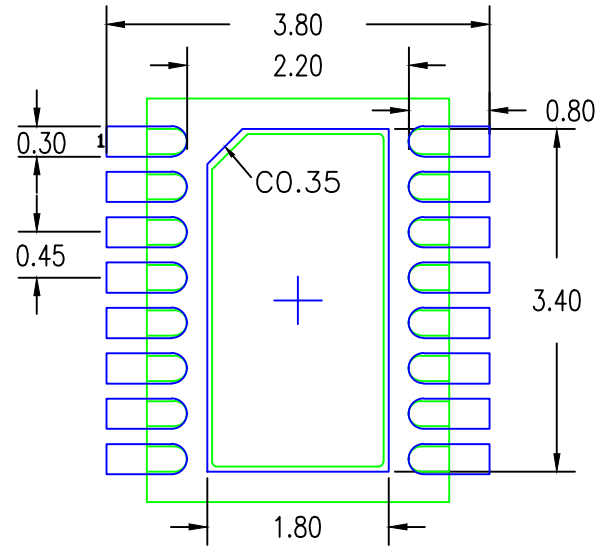
- 1.ALL DIMENSIONS ARE IN MILLIMETERS.
- 2.DIMENSIONING & TOLERANCES CONFORM TO ASME Y14.5M. -1994.
- 3.THE PIN #1 IDENTIFIER MUST BE PLACED ON THE TOP SURFACE OF THE PACKAGE BY USING INDENTATION MARK OR OTHER FEATURE OF PACKAGE BODY.

TOLERANCES UNLESS SPECIFIED		 www.IDT.com	6024 Silver Creek Valley Rd San Jose, CA 95138 PHONE: (408) 284-8200 FAX: (408) 284-3572	
DECIMAL	ANGULAR		SIZE	DRAWING No.
XX±	±	C	PSC-4752	01
XXX±		DO NOT SCALE DRAWING		
XXXX±		SHEET 1 OF 2		

TITLE NSG16 Package Outline Drawing
4.0 x 3.0 x 0.85 mm Body
0.45mm Pitch DFN

DATE CREATED	REVISIONS		
	REV	DESCRIPTION	APPROVED
2/5/18	00	INITIAL RELEASE	CK LEE
7/26/18	01	CHANGE LAND PATTERN DIMENSION	CK LEE


NOTE: REFER TO DCP FOR OFFICIAL RELEASE DATE



RECOMMENDED LAND PATTERN DIMENSION

NOTES:

1. ALL DIMENSION ARE IN MM. ANGLES IN DEGREES.
2. TOP DOWN VIEW AS VIEWED ON PCB.
3. COMPONENT OUTLINE SHOW FOR REFERENCE IN GREEN
4. LAND PATTERN IN BLUE NSMD PATTERN ASSUMED
3. LAND PATTERN RECOMMENDATION PER IPC-7351B LP CALCULATOR.

TOLERANCES UNLESS SPECIFIED		 www.IDT.com	6024 Silver Creek Valley Rd San Jose, CA 95138 PHONE: (408) 284-8200 FAX: (408) 284-3572
DECIMAL	ANGULAR		
XXX±	±		
XXXX±			
TITLE		NSG16 Package Outline Drawing	
		4.0 x 3.0 x 0.85 mm Body	
		0.45mm Pitch DFN	
SIZE	DRAWING No.	REV	
C	PSC-4752	01	
DO NOT SCALE DRAWING			SHEET 2 OF 2