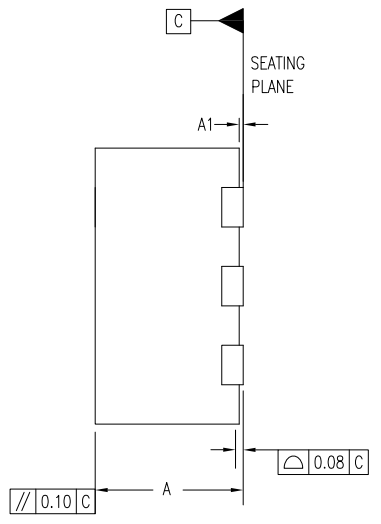
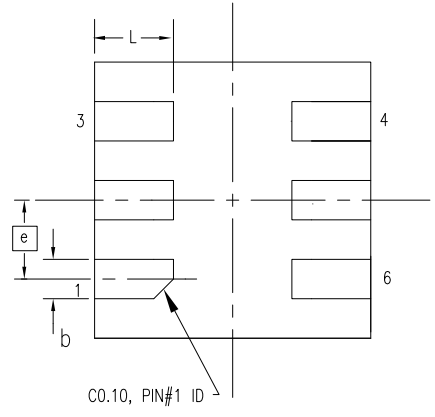


TOP VIEW



SIDE VIEW




BOTTOM VIEW

NOTE:

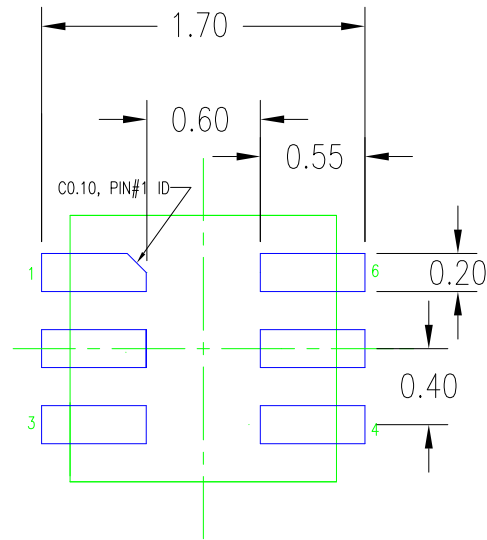
1. Dimensioning and tolerancing conform to ASME Y14.5M-1994.
2. All dimensions are in millimeters, angles are in degrees (°)
3. N is the total number of terminals.

REVISIONS			
REV	DESCRIPTION	DATE	APPROVED
00	INITIAL RELEASE	6/2/16	JH
01	CORRECT PIN1 ORIENTATION	8/25/16	JH

SYMBOL	DIMENSIONS		
	MIN	NOM	MAX
A	0.70	0.75	0.80
A1	0.00	0.02	0.05
D	1.40 BSC		
E	1.40 BSC		
N	6		
e	0.40 BSC		
b	0.15	0.20	0.25
L	0.30	0.40	0.50

TOLERANCES UNLESS SPECIFIED		 www.IDT.com	6024 Silver Creek Valley Rd San Jose, CA 95138 PHONE: (408) 284-8200 FAX: (408) 284-3572	
DECIMAL	ANGULAR			
XXX±	±			
XXX±				
XXXX±				
APPROVALS	DATE	TITLE		
DRAWN RAC	8/25/16	NTG6 PACKAGE OUTLINE		
CHECKED		1.4 x 1.4 mm BODY		
		0.4 mm PITCH QFN		
		SIZE	DRAWING No.	REV
		C	PSC-4661	01
DO NOT SCALE DRAWING				SHEET 1 OF 2


REVISIONS			
REV	DESCRIPTION	DATE	APPROVED
00	INITIAL RELEASE	6/2/16	JH
01	CORRECT PIN1 ORIENTATION	8/25/16	JH



RECOMMENDED LAND PATTERN DIMENSION

NOTES:

1. ALL DIMENSIONS ARE IN MM. ANGLES IN DEGREES.
2. TOP DOWN VIEW. AS VIEWED ON PCB.
3. COMPONENT OUTLINE SHOWS FOR REFERENCE IN GREEN.
4. LAND PATTERN IN BLUE. NSMD PATTERN ASSUMED.
5. LAND PATTERN RECOMMENDATION PER IPC-7351B GENERIC REQUIREMENT

TOLERANCES UNLESS SPECIFIED		 www.IDT.com	6024 Silver Creek Valley Rd San Jose, CA 95138 PHONE: (408) 284-8200 FAX: (408) 284-3572	
DECIMAL	ANGULAR			
XX±	±			
XXX±				
XXXX±				
APPROVALS	DATE	TITLE NTC6 PACKAGE OUTLINE		
DRAWN RAC	8/25/16	1.4 x 1.4 mm BODY		
CHECKED		0.4 mm PITCH VFQFN		
		SIZE	DRAWING No.	REV
		C	PSC-4661	01
DO NOT SCALE DRAWING				SHEET 2 OF 2