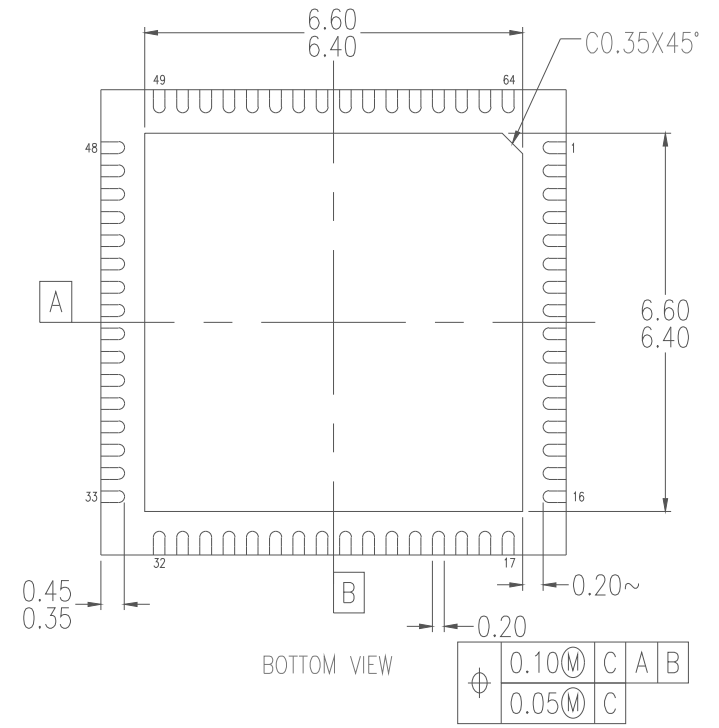
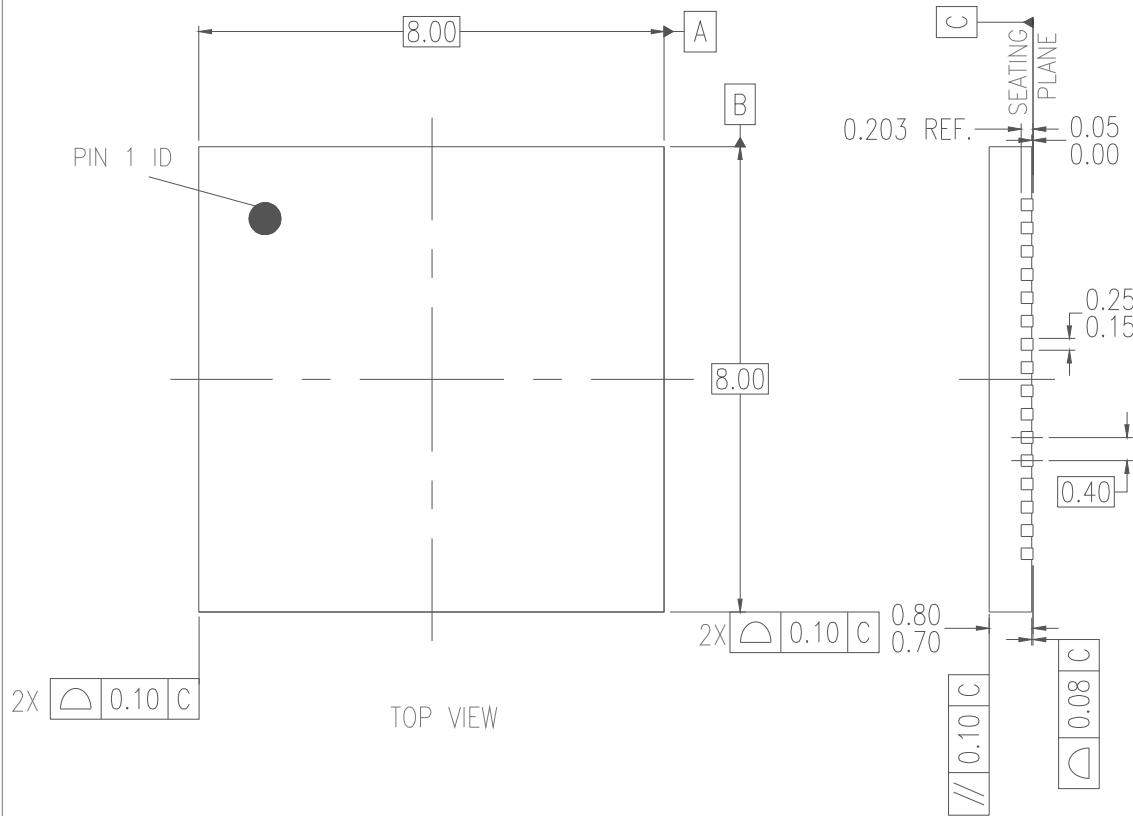



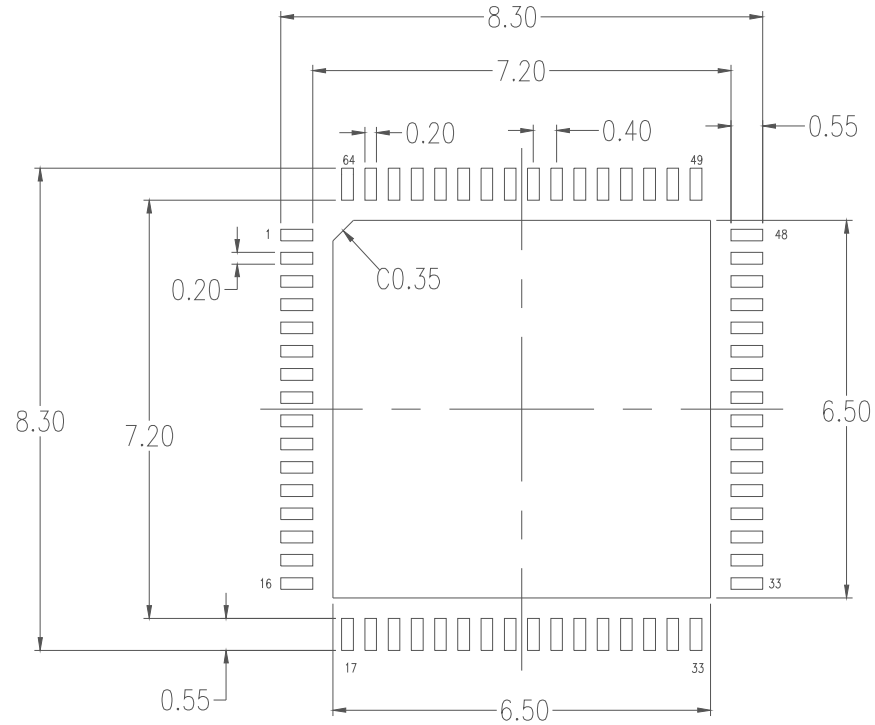
DATE		REVISIONS		
CREATED	REV	DESCRIPTION	AUTHOR	
4/29/19	00	INITIAL RELEASE	JH	
NOTE: REFER TO DCP FOR OFFICIAL RELEASE DATE				



- NOTES :
1. ALL DIMENSIONS ARE IN MILLIMETERS.
 2. ALL DIMENSIONING AND TOLERANCING CONFORM TO ASME Y14.5-2009

TOLERANCES UNLESS SPECIFIED DECIMAL ANGULAR XX± 0.05 ± XXX± 0.012 ± XXXX±	 www.IDT.com	6024 SILVER CREEK VALLEY ROAD, SAN JOSE, CA 95138 PHONE: (408) 284-8200 FAX: (408) 284-3572	
		TITLE NTG64 Package Outline Drawing 8.0 x 8.0 x 0.75 mm Body 0.4mm Pitch VFQFPN	
SIZE C	DRAWING No. PSC-4805	REV 00	DO NOT SCALE DRAWING


DATE		REVISIONS		
CREATED	REV	DESCRIPTION	AUTHOR	
4/29/19	00	INITIAL RELEASE	JH	
NOTE: REFER TO DCP FOR OFFICIAL RELEASE DATE				



RECOMMENDED LAND PATTERN DIMENSION

NOTES:

1. ALL DIMENSIONS ARE IN MM. ANGLES IN DEGREES.
2. TOP DOWN VIEW. AS VIEWED ON PCB.
3. LAND PATTERN RECOMMENDATION PER IPC-7351B GENERIC REQUIREMENT FOR SURFACE MOUNT DESIGN AND LAND PATTERN.

TOLERANCES UNLESS SPECIFIED		 www.IDT.com	6024 SILVER CREEK VALLEY ROAD, SAN JOSE, CA 95138	
DECIMAL	ANGULAR		PHONE: (408) 284-8200	
XX± 0.05 ±	±		FAX: (408) 284-3572	
XXX± 0.012				
XXXX±		TITLE NTG64 Package Outline Drawing		
		8.0 x 8.0 x 0.75 mm Body		
		0.4mm Pitch VFQFPN		
SIZE	DRAWING No.	REV		
C	PSC-4805	00		
DO NOT SCALE DRAWING			SHEET 2 OF 2	