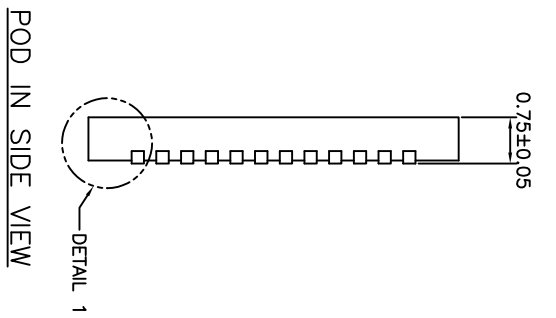
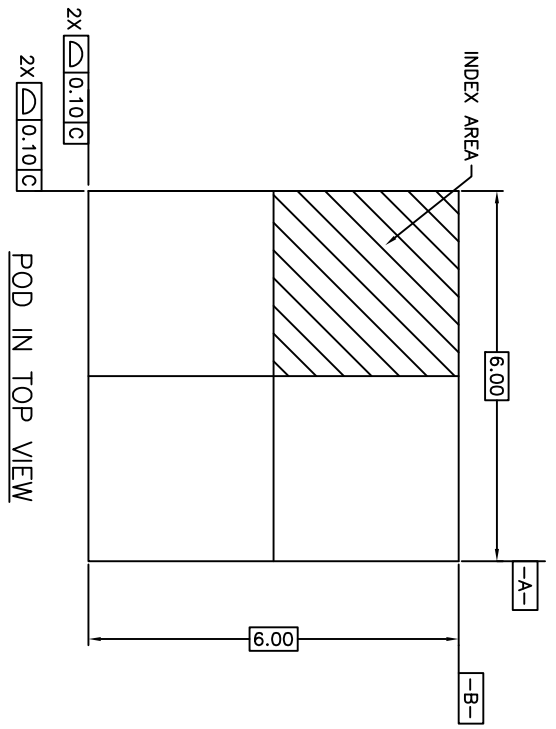
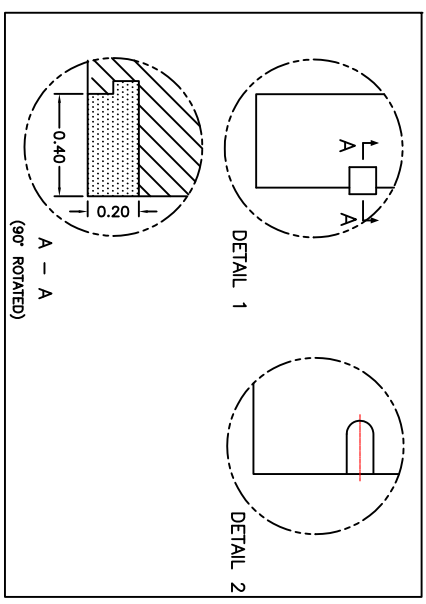


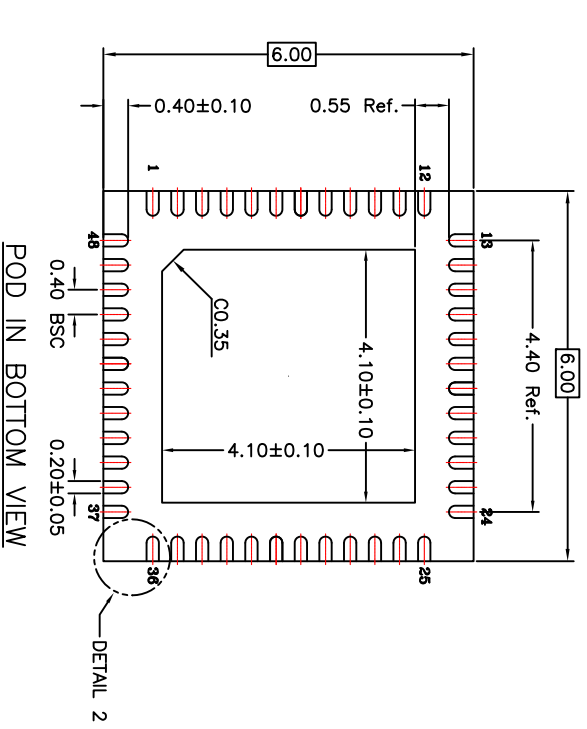
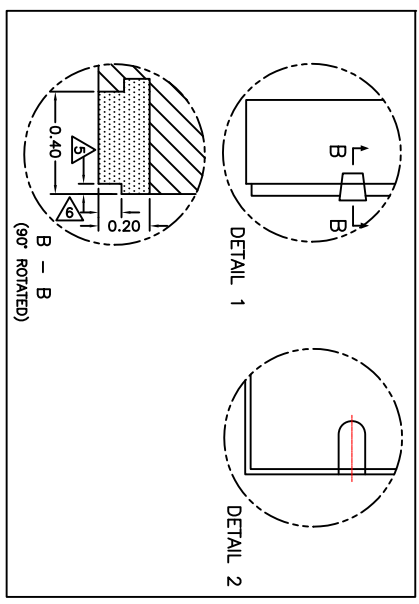
REVISIONS			
REV	DESCRIPTION	DATE	APPROVED
00	INITIAL RELEASE	3/16/10	RPJ
01	COMBINE POD & LAND PATTERN	1/28/14	JH
02	ADD LEAD DETAILS OPTION 1 & 2	3/20/14	JH



OPTION 1:



OPTION 2:

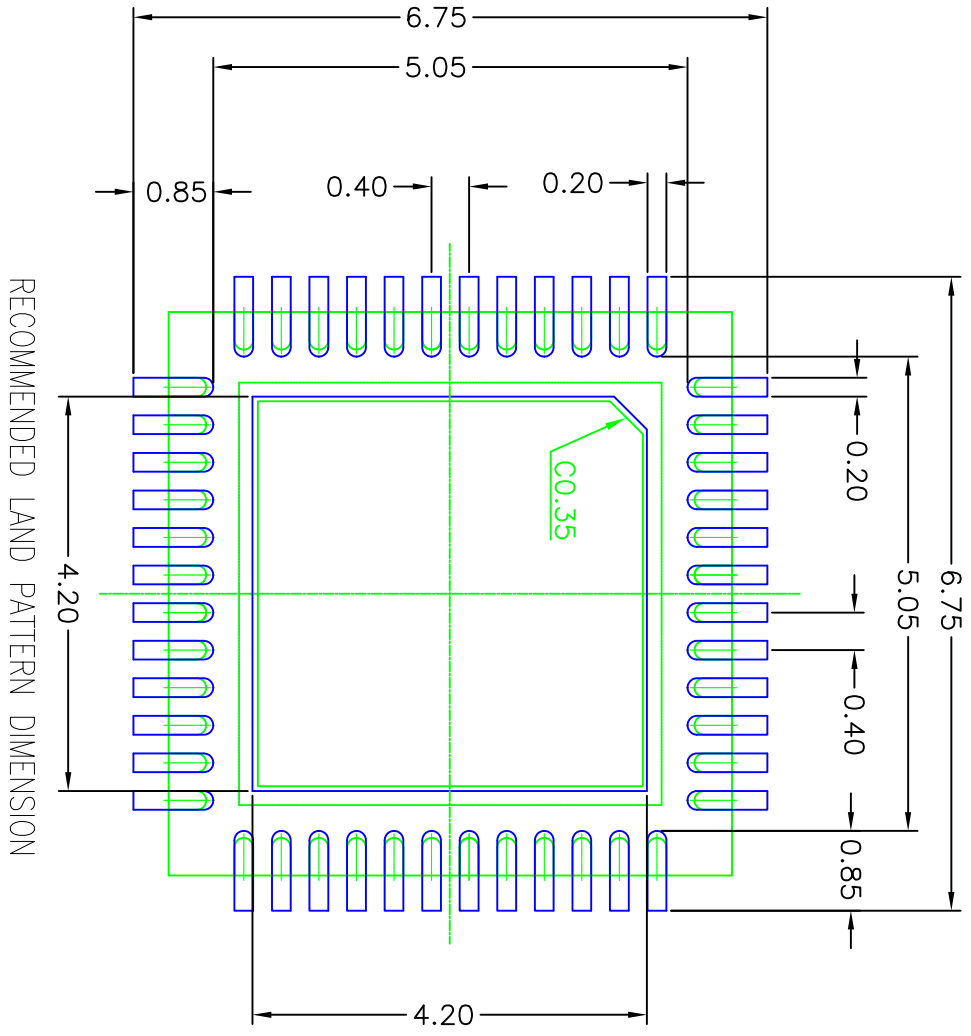


- NOTES:
1. DIMENSIONING AND TOLERANCING CONFORM TO ASME Y14.5-2009.
 2. ALL DIMENSIONS ARE IN MILLIMETERS.
 3. P9037 PRODUCT USES EITHER OPTION 1 OR OPTION 2.
 4. ALL OTHER PRODUCTS USE OPTION 1.

TOLERANCES UNLESS SPECIFIED			
DECIMAL	ANGULAR	6024 SILVER CREEK VALLEY ROAD, SAN JOSE, CA 95138 PHONE: (408) 284-8200 FAX: (408) 284-3572 WWW.IDT.COM	
XXX.X	.05	DATE: 12/04/09 DRAWN: P2/P CHECKED:	
TITLE: NI/NTG48 PACKAGE OUTLINE 6.0 x 6.0 mm BODY 0.4 mm PITCH TQFN		SIZE: C DRAWING No.: PSC-4294	REV: 02 SHEET 1 OF 2

DO NOT SCALE DRAWING

REVISIONS			
REV	DESCRIPTION	DATE	APPROVED
00	INITIAL RELEASE	3/16/10	PKP
01	COMBINE POD & LAND PATTERN	1/28/14	JH
02	ADD LEAD DETAILS OPTION 1 & 2	3/20/14	JH



- NOTES:
1. ALL DIMENSIONS ARE IN MM. ANGLES IN DEGREES.
 2. TOP DOWN VIEW, AS VIEWED ON PCB.
 3. COMPONENT OUTLINE IS SHOWN FOR REFERENCE IN GREEN.
 4. LAND PATTERN IN BLUE. NSMD PATTERN ASSUMED.
 5. LAND PATTERN RECOMMENDATION PER IPC-7351B GENERIC REQUIREMENT FOR SURFACE MOUNT DESIGN AND LAND PATTERN.

TOLERANCES UNLESS SPECIFIED		6024 SILVER CREEK	
DECIMAL	ANGULAR	VALLEY ROAD, SAN JOSE, CA 95138	
XX± .1	±1°	PHONE: (408) 284-8200	
XXX± .05		FAX: (408) 284-3572	
XXXX .030		WWW.IDT.COM	
APPROVALS	DATE	TITLE	
DRAWN 030P	12/04/09	NT/NTG48 PACKAGE OUTLINE	
CHECKED		6.0 x 6.0 mm BODY	
		0.4 mm PITCH TQFN	
SIZE	DRAWING No.	REV	
C	PSC-4294	02	
DO NOT SCALE DRAWING		SHEET 2 OF 2	