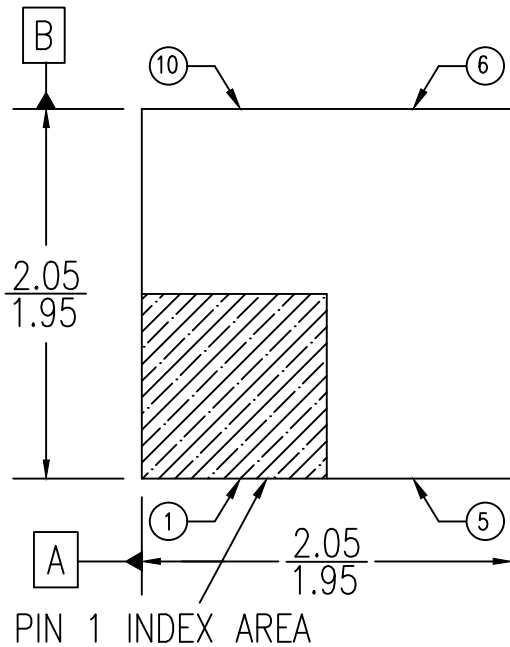
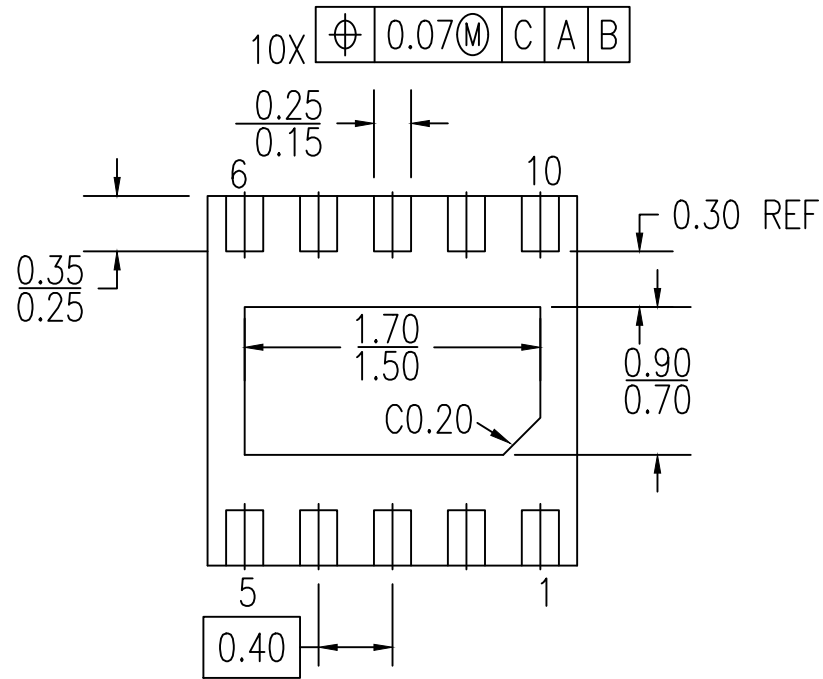


DATE		REVISIONS		
CREATED	REV	DESCRIPTION	AUTHIOR	
12/14/17	00	INITIAL RELEASE	J.HUA	
6/13/18	01	CHANGE QFN TO VFQFPN	R.CURILAN	

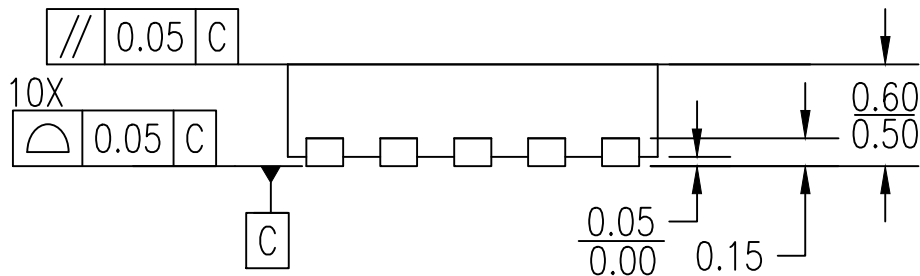
NOTE: REFER TO DCP FOR OFFICIAL RELEASE DATE



TOP VIEW




BOTTOM VIEW



SIDE VIEW

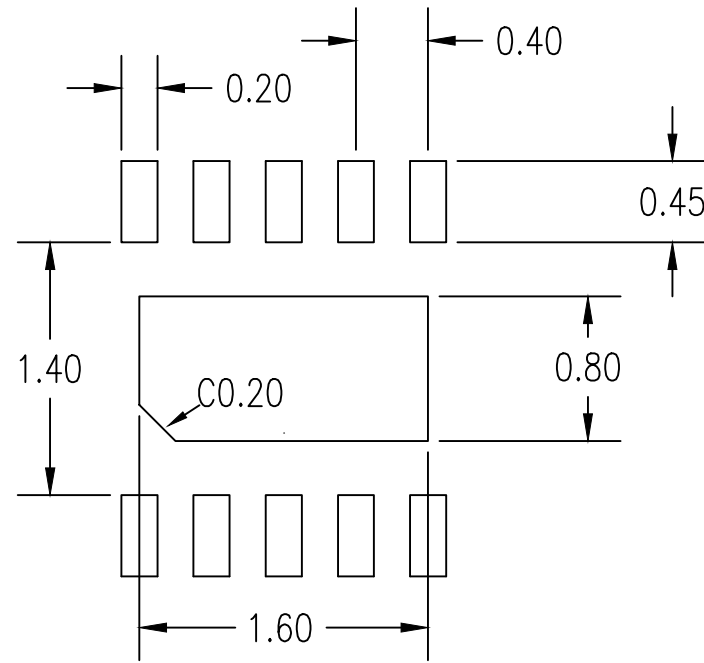
NOTES:

1. ALL DIMENSIONS ARE IN MM. ANGLES IN DEGREES.

TOLERANCES UNLESS SPECIFIED DECIMAL ANGULAR XXX± ± XXXX±	 IDT™ www.IDT.com	6024 Silver Creek Valley Rd San Jose, CA 95138 PHONE: (408) 727-6116 FAX: (408) 492-8674	
		TITLE NVG10 Package Outline Drawing 2.0 x 2.0 x 0.55 mm Body 0.4mm Pitch VFQFPN	
SIZE C	DRAWING No. PSC-4745	REV 01	
DO NOT SCALE DRAWING		SHEET 1 OF 2	

DATE		REVISIONS	
CREATED	REV	DESCRIPTION	AUTHOR
12/14/17	00	INITIAL RELEASE	J.HUA
6/13/18	01	CHANGE QFN TO VFQFPN	R.CURILAN


NOTE: REFER TO DCP FOR OFFICIAL RELEASE DATE



RECOMMENDED LAND PATTERN DIMENSION

NOTES:

1. ALL DIMENSIONS ARE IN MM. ANGLES IN DEGREES.
2. TOP DOWN VIEW, AS VIEWED ON PCB.
3. LAND PATTERN RECOMMENDATION PER IPC-7351B GENERIC REQUIREMENT FOR SURFACE MOUNT DESIGN AND LAND PATTERN.

TOLERANCES UNLESS SPECIFIED		 6024 Silver Creek Valley Rd San Jose, CA 95138 PHONE: (408) 727-6116 FAX: (408) 492-8674
DECIMAL	ANGULAR	
XX±	±	www.IDT.com
XXX±		TITLE NVC10 Package Outline Drawing
XXXX±		2.0 x 2.0 x 0.55 mm Body 0.4mm Pitch VFQFPN
SIZE	DRAWING No.	REV
C	PSC-4745	01
DO NOT SCALE DRAWING		SHEET 2 OF 2