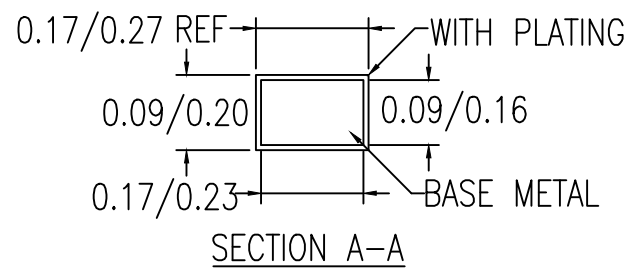
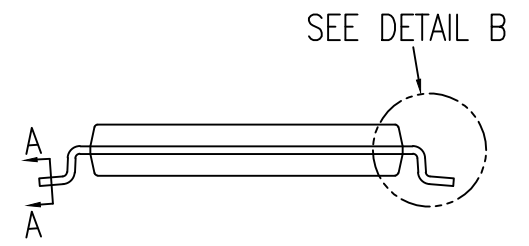
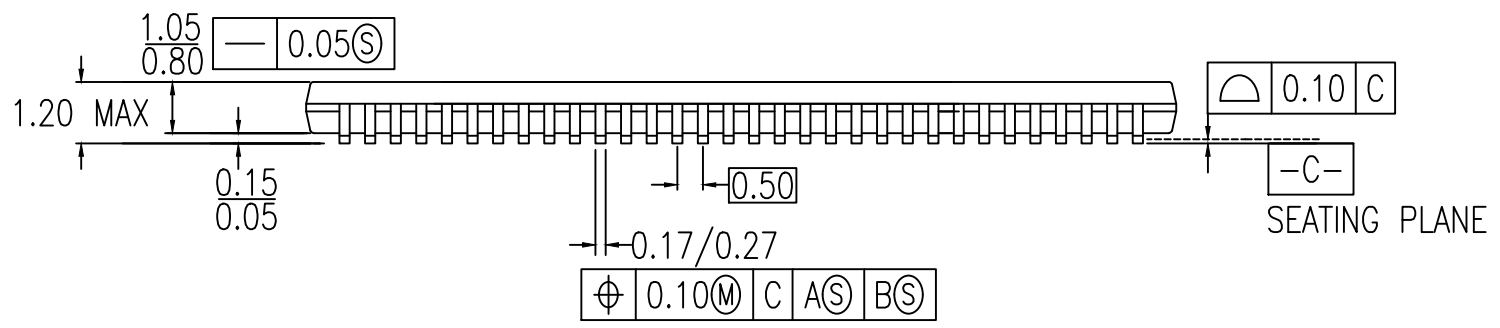
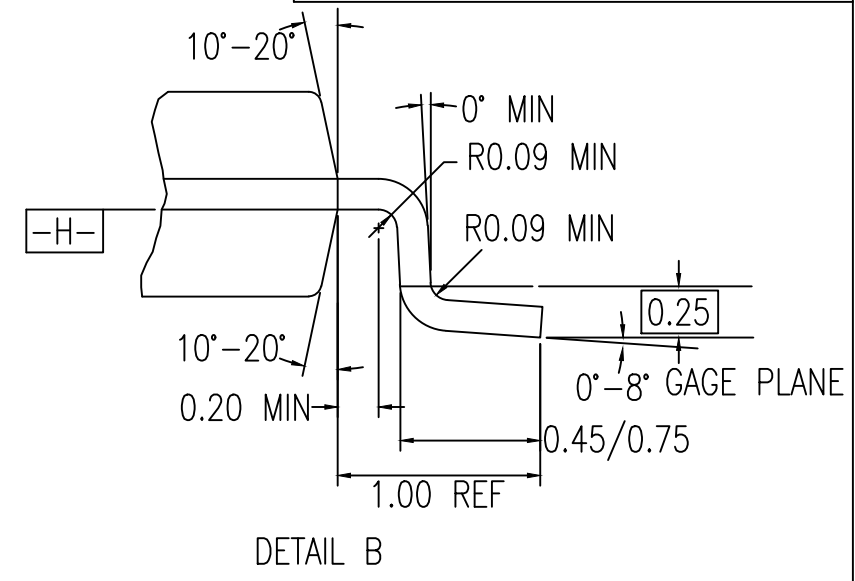
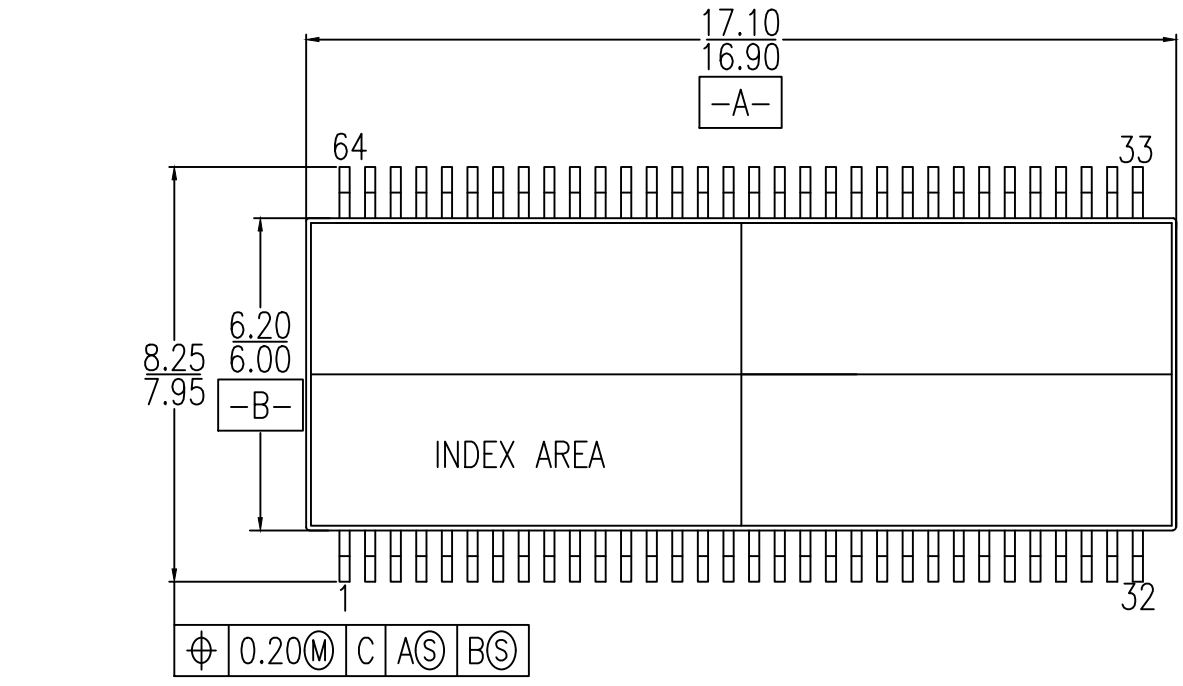


REVISIONS			
DATE CREATED	REV	DESCRIPTION	APPROVED
7/18/18	00	Revised from PSC-4039_06	R.C

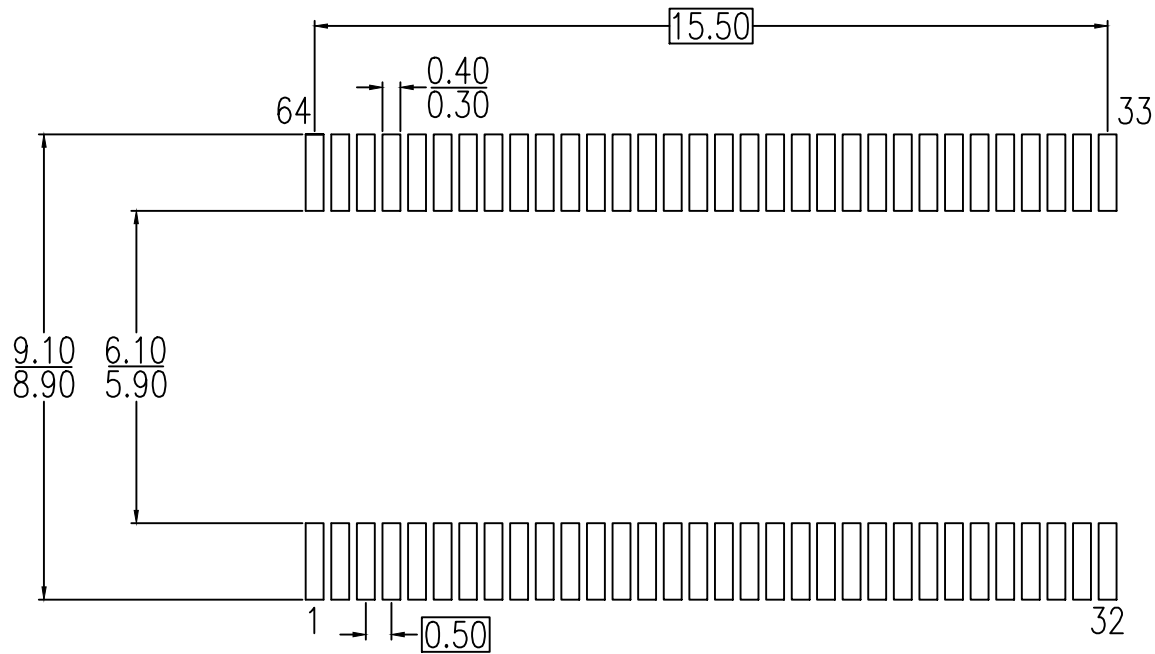
NOTE: REFER TO DCP FOR OFFICIAL RELEASE DATE



NOTES:
 1. ALL DIMENSIONING AND TOLERANCING CONFORM TO ANSI Y14.5M-1982
 2. ALL DIMENSION ARE IN MM.

TOLERANCES UNLESS SPECIFIED	DECIMAL	ANGULAR	 6024 Silver Creek Valley Rd San Jose, CA 95138 PHONE: (408) 284-8200 FAX: (408) 284-3572 www.IDT.com
	XX±	±	
TITLE			PAG64 Package Outline Drawing 6.10 mm Body, 0.50mm Pitch TSSOP
SIZE	DRAWING No.	REV	
C	PSC-4767	00	
DO NOT SCALE DRAWING			SHEET 1 OF 2


DATE CREATED		REVISIONS		
7/18/18	REV	DESCRIPTION	APPROVED	
	00	Revised from PSC-4039_06	R.C	
NOTE: REFER TO DCP FOR OFFICIAL RELEASE DATE				



RECOMMENDED LAND PATTERN DIMENSIONS

NOTES:

1. ALL DIMENSIONS ARE IN MILLIMETERS

TOLERANCES UNLESS SPECIFIED		 6024 Silver Creek Valley Rd San Jose, CA 95138 PHONE: (408) 284-8200 FAX: (408) 284-3572 www.IDT.com
DECIMAL	ANGULAR	
XX±	±	
XXX±		
XXXX±		
TITLE PAG64 Package Outline Drawing 6.10 mm Body, 0.50mm Pitch TSSOP		
SIZE	DRAWING No.	REV
C	PSC-4767	00
DO NOT SCALE DRAWING		SHEET 2 OF 2