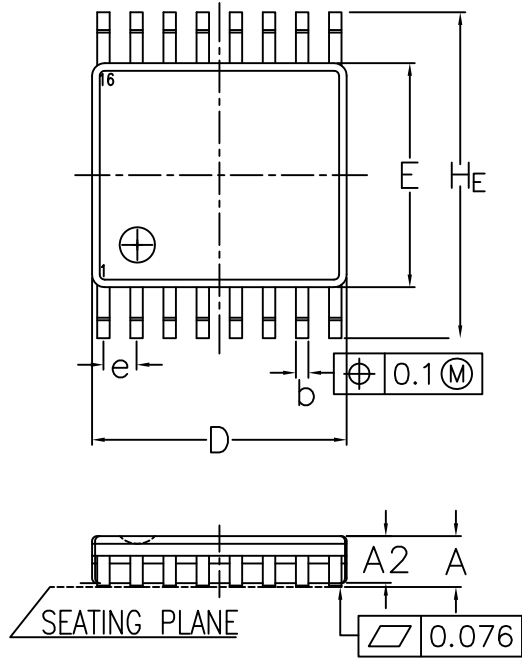
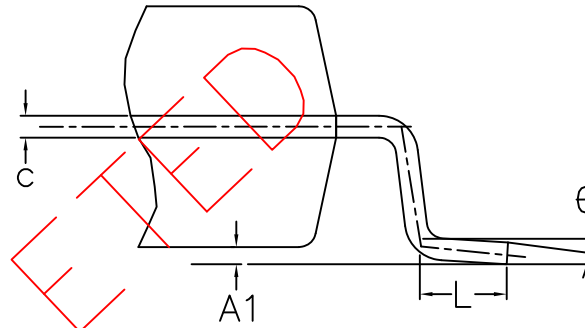


REVISIONS			
REV	DESCRIPTION	DATE	APPROVED
00	INITIAL RELEASE	2/29/16	J.H
OBS	OBSOLETE	1/26/18	Ron T.

1. DIMENSIONS



VIEW X



OBSOLETE

DIMENSIONS	min	max
A	0.90	1.20
A1	0.05	0.15
A2	0.80	1.05
b	0.19	0.30
c	0.09	0.20
D	4.90	5.10
E	4.30	4.50
e	0.65nom	
HE	6.20	6.60
L	0.45	0.75
θ	0°	8°

* WITHOUT MOLD FLASH

- 2. WEIGHT ≤ 0.05 g
- 3. BODY MATERIAL LOW STRESS EPOXY
- 4. LEAD MATERIAL Cu-ALLOY
- 5. LEAD FINISH SOLDER PLATING
- 6. LEAD FORM Z-BENDS

TOLERANCES UNLESS SPECIFIED		IDT™	6024 Silver Creek Valley Rd San Jose, CA 95138 PHONE: (408) 284-8200 FAX: (408) 284-3572	
DECIMAL	ANGULAR		www.IDT.com	
XXX±	±	TITLE PGG16 PACKAGE OUTLINE 4.4mm TSSOP		
XXXX±		APPROVALS	DATE	
XXXX±		DRAWN	2/29/16	
		CHECKED		
		SIZE	DRAWING No.	REV
		C	PSC-4056-02	OBS
DO NOT SCALE DRAWING				SHEET 1 OF 1