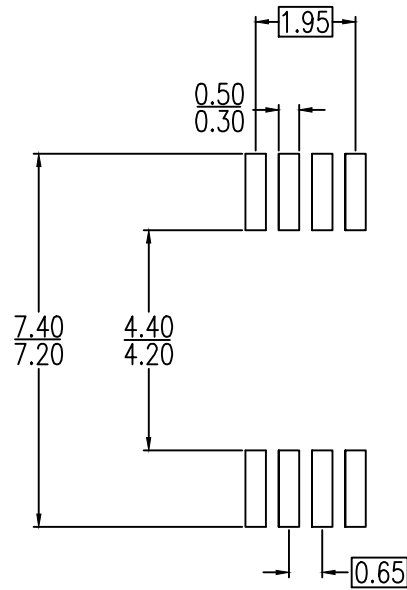



DATE CREATED	REVISIONS		
	REV	DESCRIPTION	APPROVED
7/24/18	00	Revised from PSC-4056_09	R.C



RECOMMENDED LAND PATTERN DIMENSIONS

NOTES:

1. ALL DIMENSIONS ARE IN MILLIMETERS

TOLERANCES UNLESS SPECIFIED		 6024 Silver Creek Valley Rd San Jose, CA 95138 PHONE: (408) 284-8200 FAX: (408) 284-3572 www.IDT.com
DECIMAL	ANGULAR	
XX±	±	
XXX±		
XXXX±		
TITLE PGG8 Package Outline Drawing 4.4 mm Body, 0.65mm Pitch TSSOP		
SIZE	DRAWING No.	REV
C	PSC-4768	00
DO NOT SCALE DRAWING		SHEET 2 OF 2