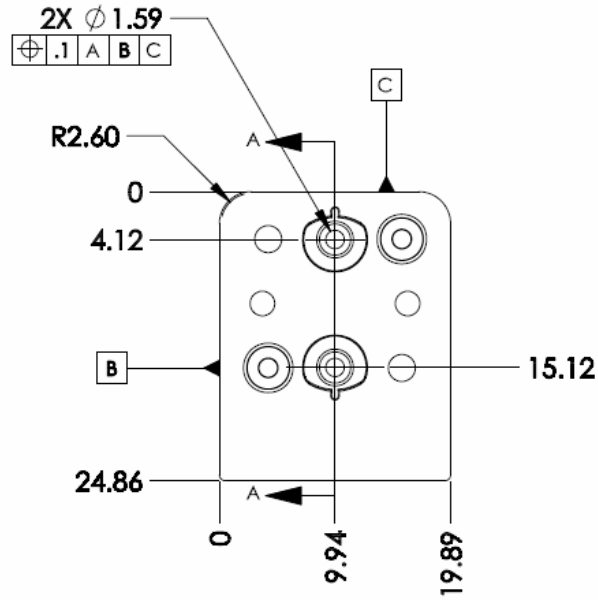


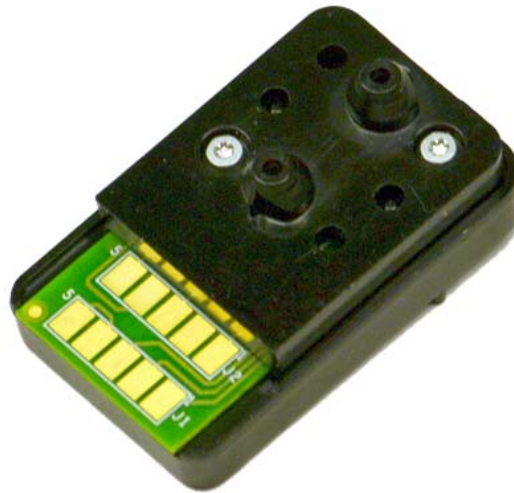
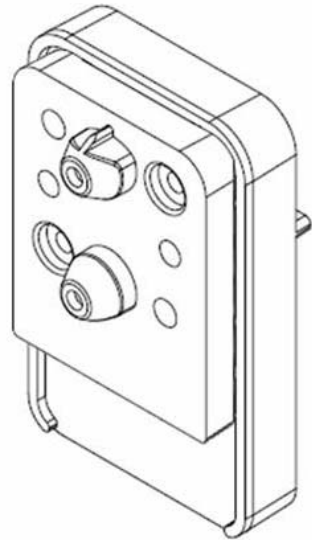
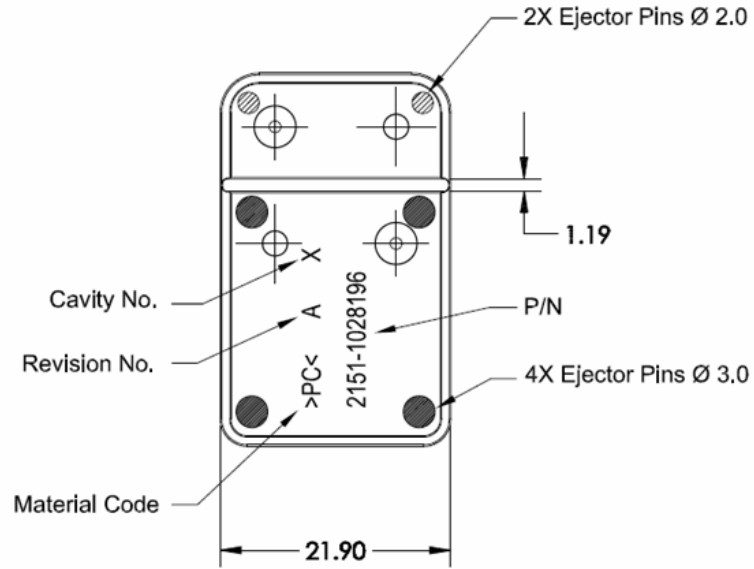
DATE CREATED		REVISIONS		
REV	DESCRIPTION	AUTHOR		
9/7/17	00	INITIAL RELEASE		JH

NOTE: REFER TO DCP FOR OFFICIAL RELEASE DATE


FRONT



BACK



NOTES:  
1. ALL DIMENSIONS ARE IN MILLIMETERS (mm)

TOLERANCES UNLESS SPECIFIED DECIMAL ANGULAR XXX± ± XXX± ± XXXX± ±	 6024 Silver Creek Valley Road San Jose, CA 95138 PHONE: (408) 284-8200 FAX: (408) 284-8591 <a href="http://www.IDT.com">www.IDT.com</a>	
	TITLE SGAS733-FC Package Outline Drawing 21.9 x 24.86 mm Module MOD0	
SIZE C	DRAWING No. PSC-4714	REV 00
DO NOT SCALE DRAWING		SHEET 1 OF 1