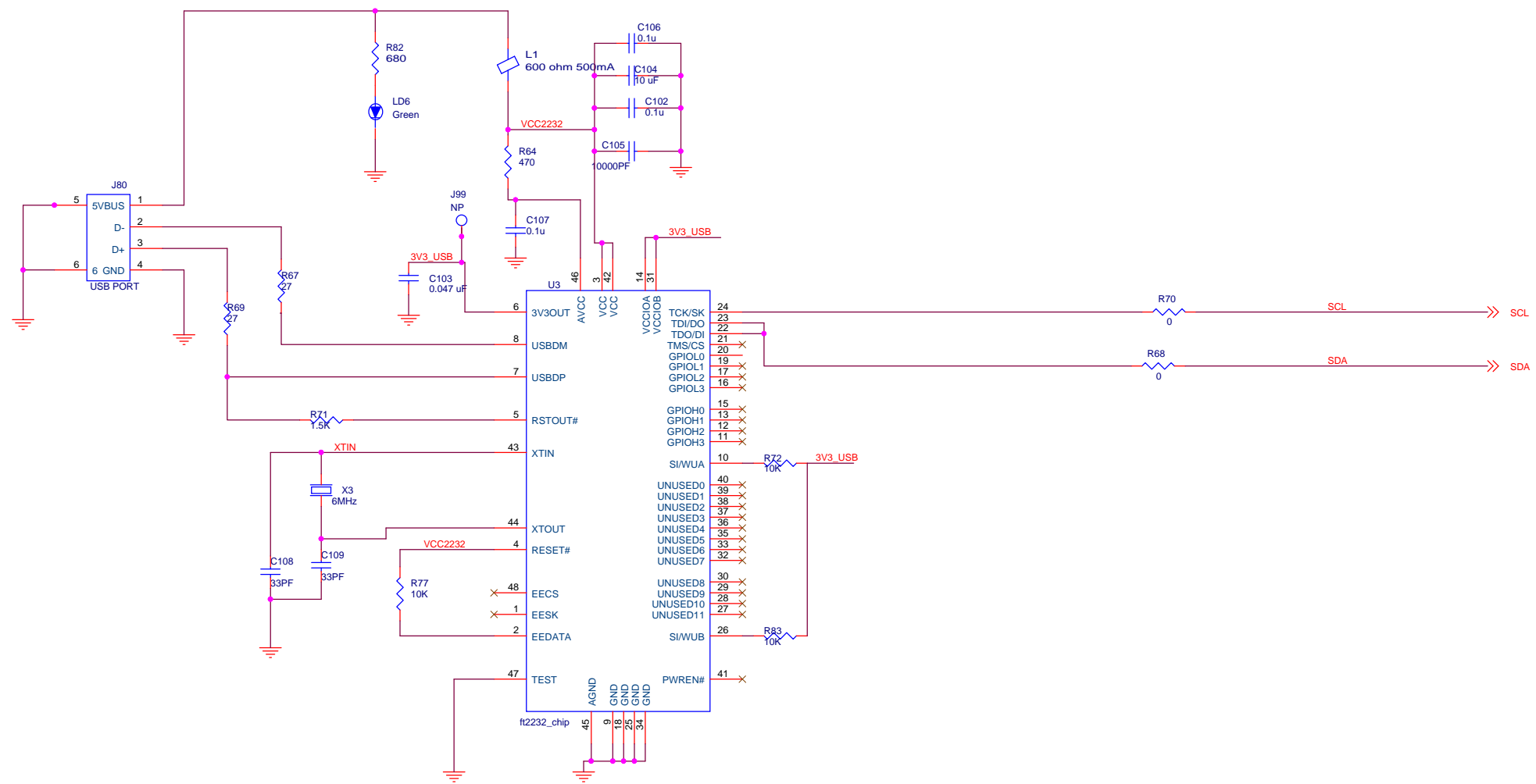


File	<Title>
Size	Document Number
D	<Doc>
Date:	Monday, January 18, 2016
Sheet	1 of 1



Title		
<Title>		
Size	Document Number	Rev
C	<Doc>	<Rev Code>
Date:	Monday, January 18, 2016	Sheet 1 of 1