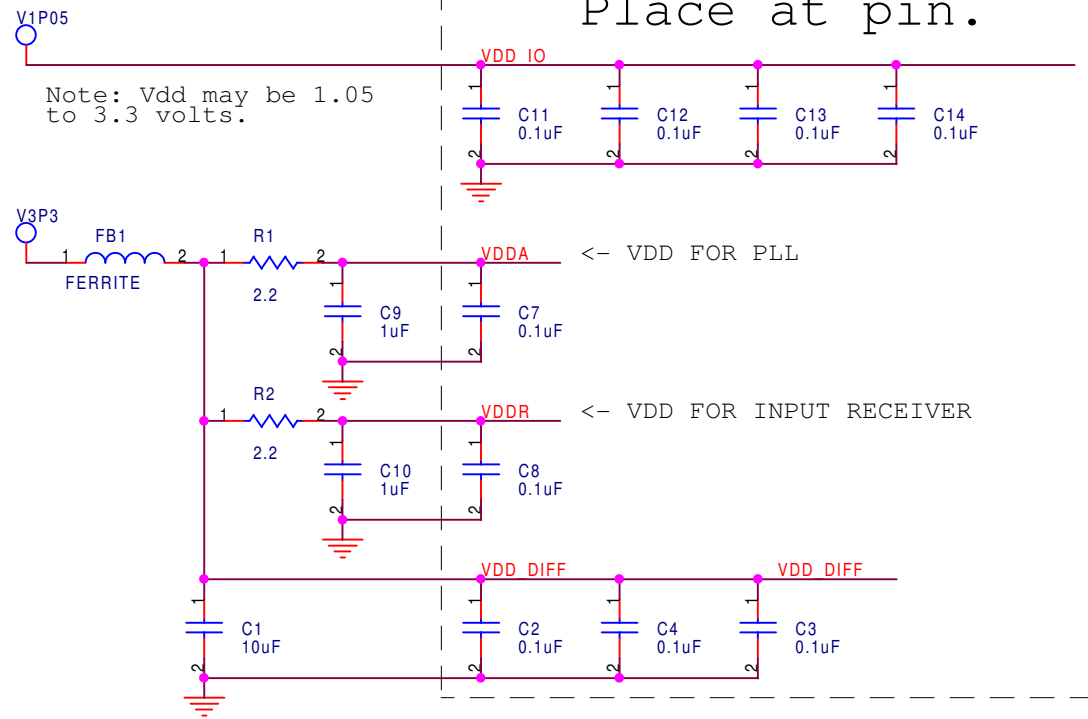


Only 4 thermal vias needed.



Tri-Level

SMB_A1	SMB_A0	Add
0	0	D8
0	M	DA
0	1	DE
M	0	C2
M	M	C4
M	1	C6
1	0	CA
1	M	CC
1	1	CE

HiBW BypM LoBW# MODE

Low	PLL Lo BW
Mid	Bypass
High	PLL Hi BW

NOTE: PLL is OFF in Bypass Mode

NOTE:FERRITE BEADS =

Manufacture	Part Number	Z@100MHz	PkgSz	DC res.	Current(Ma)
muRata	BLM21A601R	600	0805	0.30	600
TDK	MMZ2012S601A	600	0805	0.30	600
STEWART	HZ0805E601R	600	0805	0.30	600
AssocCmpTch	CBG0805-600-50	600	0805	0.30	600

Impedance dependent resistor values

Resistor	Zdiff =	Zdiff =
Series	100 ohm	85 ohm
	33 5%	27 5%

Revision history

Rev	Change
0.1	First publication

Integrated Device Technology
6024 Silver Creek Valley Road
San Jose, CA

Title 9ZXL1231 Power Filter	
Size B	Document Number
Date: Thursday, July 19, 2012	Rev 0.1
Sheet 1	of 1