

**IDT\_5P49V5943\_44\_EVAL\_BOARD**  
**REV : 1**

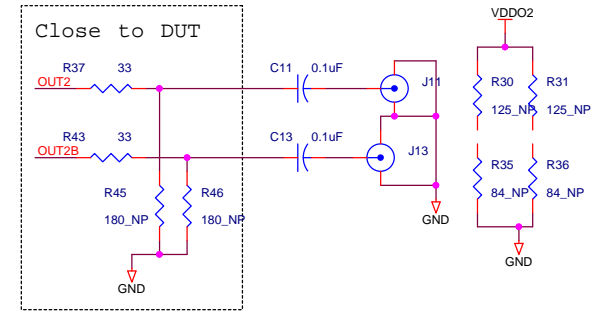
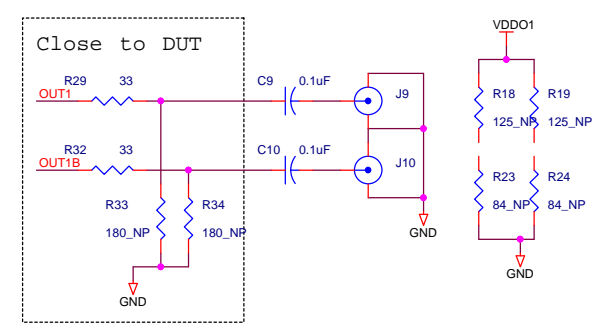
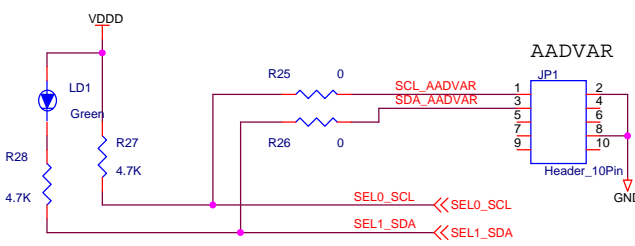
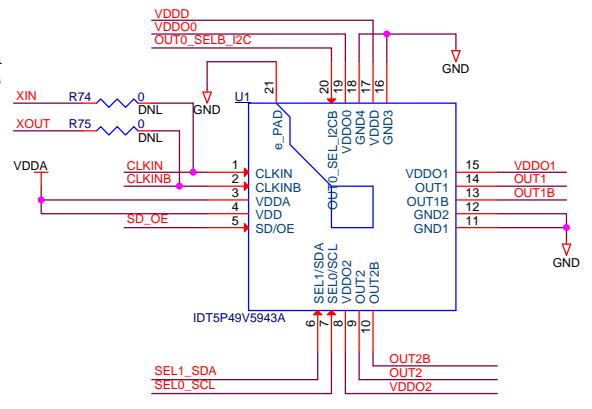
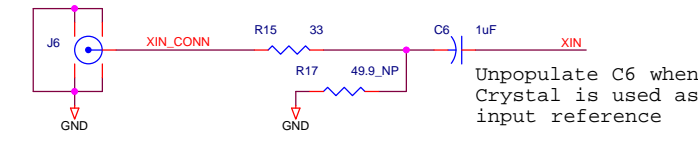
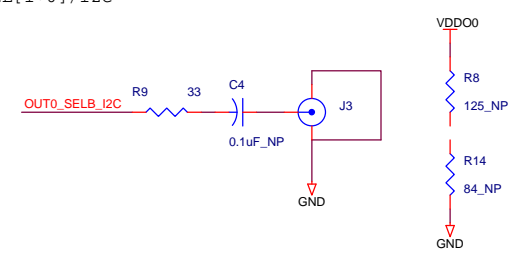
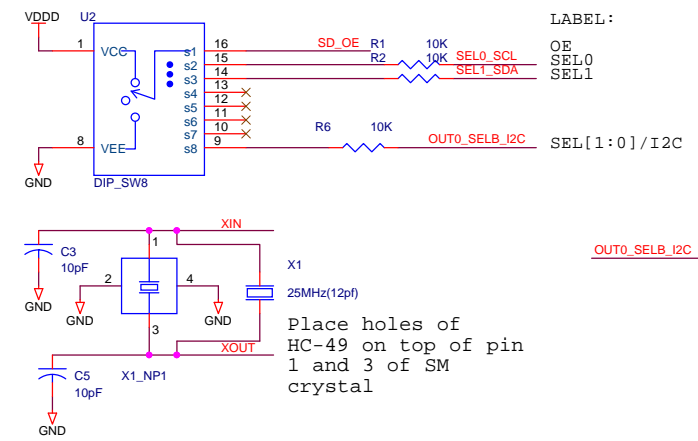
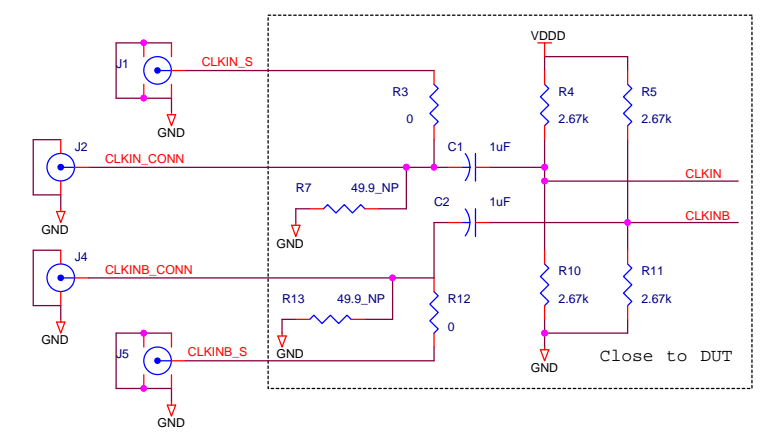
**PAGE 01 : TITLE\_PAGE**

**PAGE 02 : VC5**

**PAGE 03 : POWER CONNECTION**

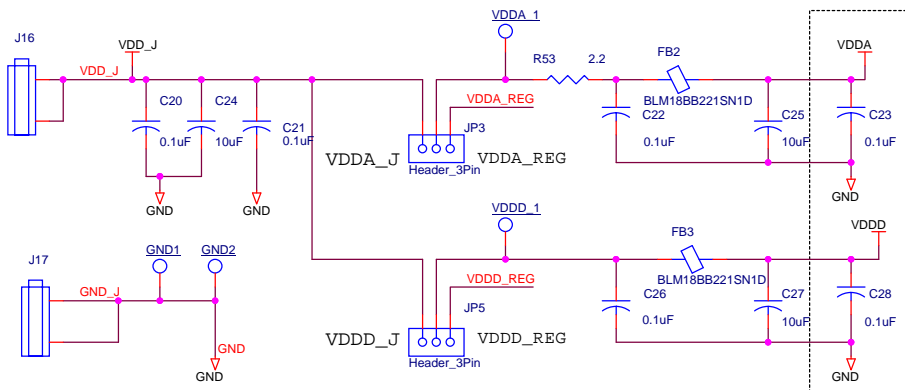
**PAGE 04 : I2CMODULE**

Title		
IDT_5P49V5943_44_EVAL_BOARD_REV1		
Size	Document Number	Rev
B	305-PD-15-XXXX	1
Date:	Wednesday, March 04, 2015	Sheet 1 of 4



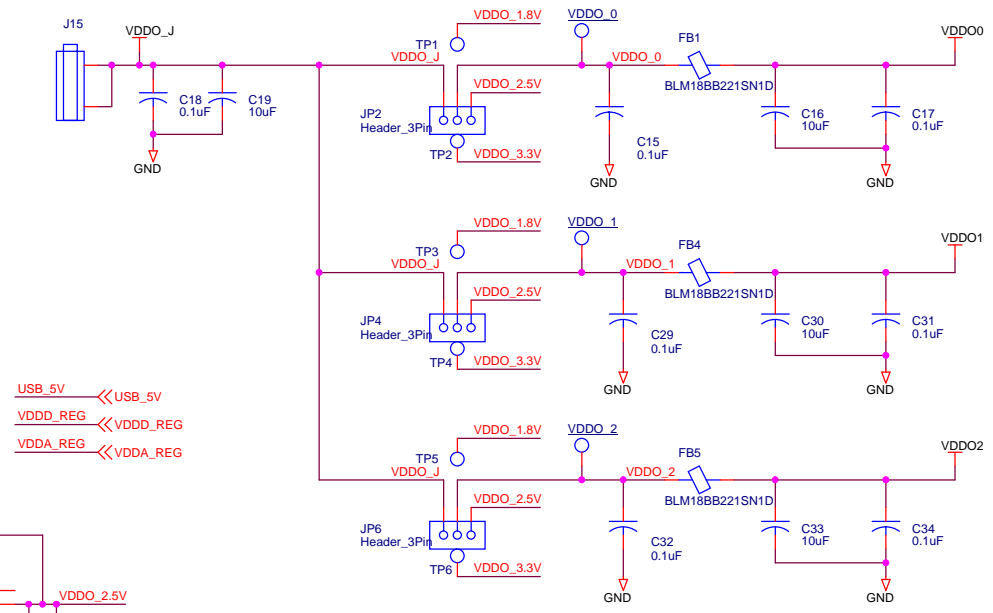
Title		
IDT_5P49V5943_44_EVAL_BOARD_REV1		
Size	Document Number	Rev
B	305-PD-15-XXXX	1
Date:	Wednesday, March 04, 2015	Sheet 2 of 4

LABEL AS INDICATED FOR 3-PIN HEADERS

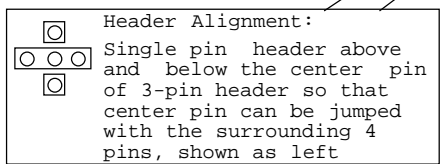
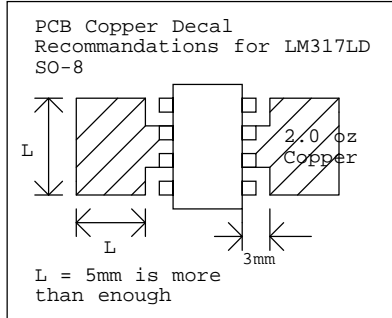
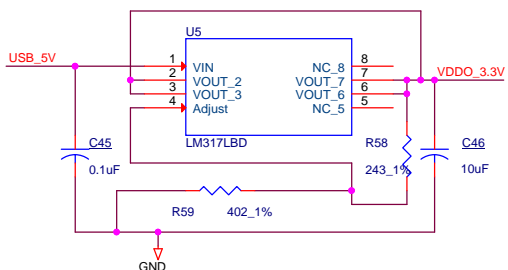
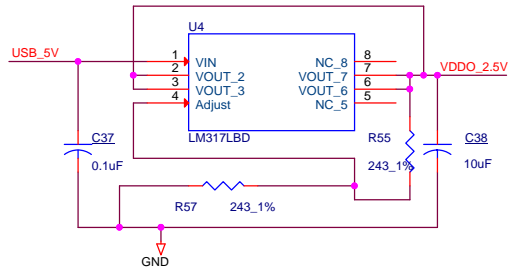
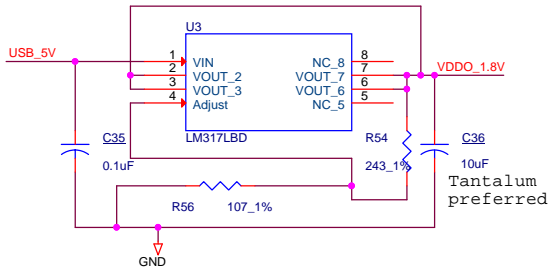


Locate near DUT power pin

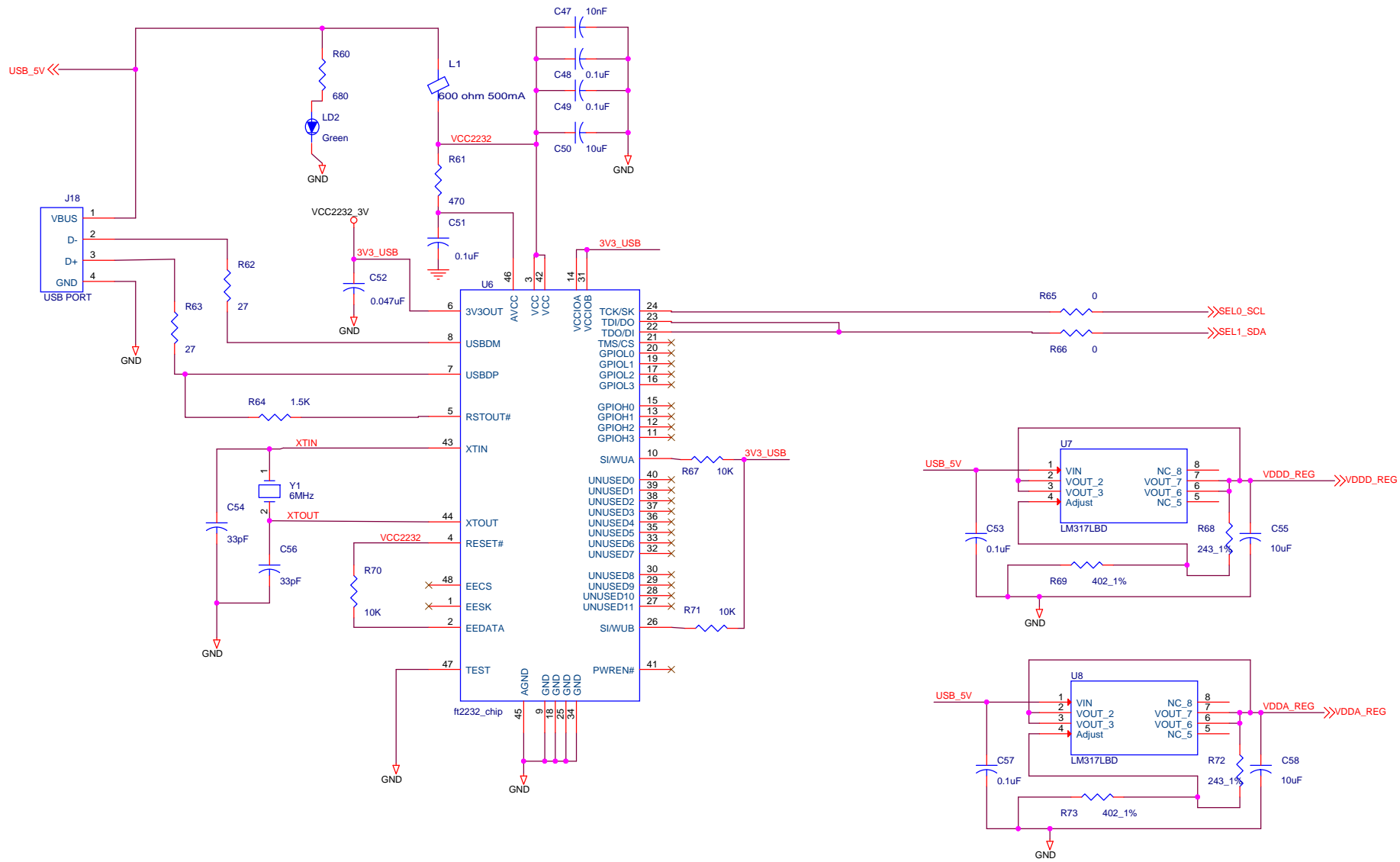
LABEL ON EACH RESPECTIVE PIN OF HEADERS: 1.8V, 2.5V, 3.3V



USB\_5V << USB\_5V  
VDDD\_REG << VDDD\_REG  
VDDA\_REG << VDDA\_REG



Title		
IDT_5P49V5943_44_EVAL_BOARD_REV1		
Size	Document Number	Rev
B	305-PD-15-XXXX	1
Date:	Thursday, March 05, 2015	Sheet 3 of 4



Title		
IDT_5P49V5943_44_EVAL_BOARD_REV1		
Size	Document Number	Rev
B	305-PD-15-XXXX	1
Date:	Wednesday, March 04, 2015	Sheet 4 of 4