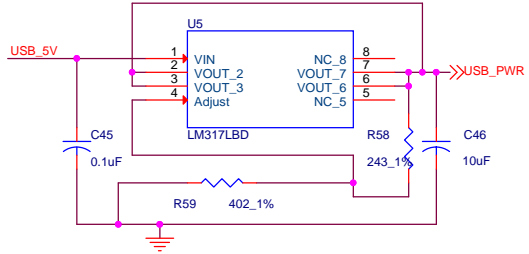
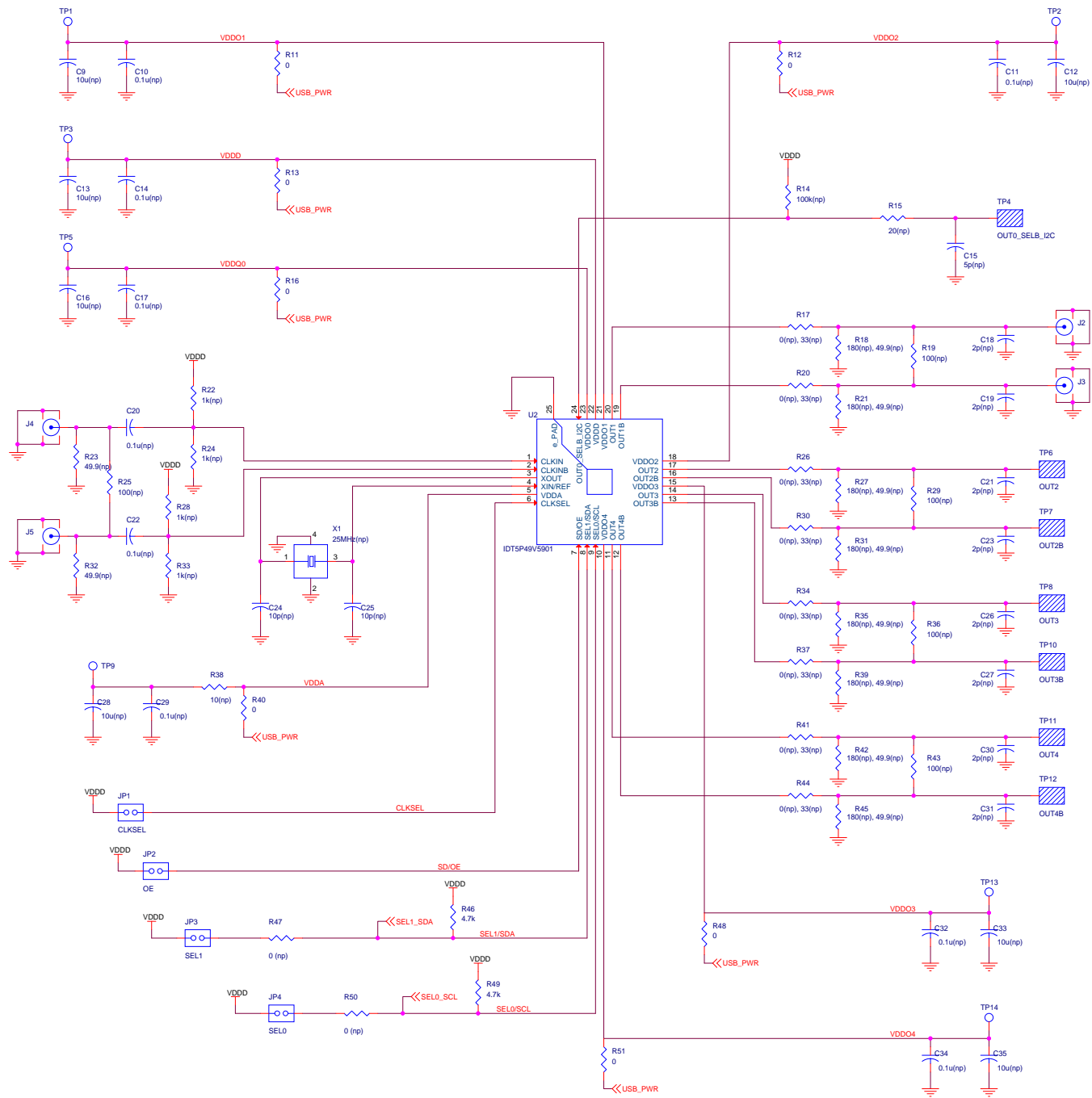


PCB Copper Decal
 Recommendations for LM317LBD
 SO-8

L = 5mm is more than enough



Title	<Title>	
Size	Document Number	Rev
B	<Doc>	<RevCod
Date:	Monday, January 27, 2014	Sheet 1 of 2



Title		<Title>
Size	Document Number	Rev
C	<Doc>	<Rev>
Date:	Friday, January 24, 2014	Sheet 2 of 2