

Description

The F5280 is a 4-channel TRX half-duplex silicon IC designed using a SiGe BiCMOS process for 28GHz 5G phased-array applications. The core IC has very flexible gain and phase control on each channel to achieve fine beam steering and gain compensation between radiating channels. The core design includes standard SPI protocol that operates up to 50MHz with fast-beam switching, fast beam-state loading, and fast four on-chip beam storage.

Competitive Advantage

- High integration
- Fast switching
- Fast and flexible state programming and loading
- Minimal footprint

Typical Applications

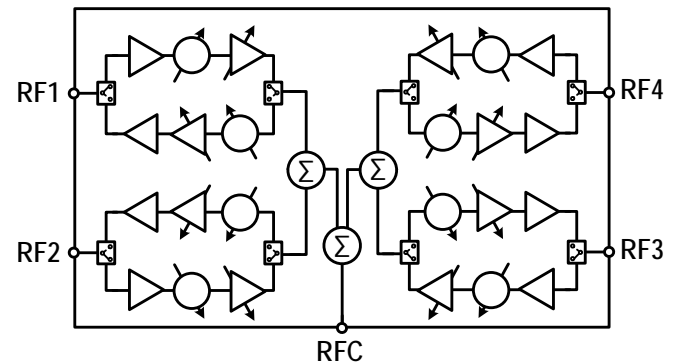
- 5G Phased-Array
- Beam Steering

Features

- 25GHz to 31GHz operation
- 4 radiation channels
- 100ns typical RF switch Tx/Rx mode switching time
- 20ns typical gain and phase settling time
- 3° typical RMS phase error
- 0.4dB typical RMS gain error
- Advanced SPI with 4 state memory
- 6-bit chip address
- Integrated PTAT with external biasing
- Internal temperature sensor
- Up to 50MHz SPI control
- Programmable on-chip memory
- Supply voltage: +2.3V to +2.7V
- -40°C to +105°C ambient operating temperature range
- 3.6 × 3.6 mm, 49-BGA package

Block Diagram

Figure 1. Block Diagram





Ordering Information

Orderable Part Number	Description and Package	MSL Rating	Carrier Type	Temperature
F5280AVGK	3.6 × 3.6 × 0.9 mm BGA	MSL 3	Tray	-40° to +105°C
F5280AVGK8	3.6 × 3.6 × 0.9 mm BGA	MSL 3	Reel	-40° to +105°C
F5280EVB	F5280 Evaluation Board			
F5280EVS	F5280 Evaluation Kit System, including Evaluation Board, 2x THRU Reference Fixture, FT2232H Mini-Module Microcontroller, Digital Cable, Power Cable, and USB-to-Mini Cable.			

Revision History

Revision Date	Description of Change
November 6, 2018	Initial release.

IMPORTANT NOTICE AND DISCLAIMER

RENESAS ELECTRONICS CORPORATION AND ITS SUBSIDIARIES (“RENESAS”) PROVIDES TECHNICAL SPECIFICATIONS AND RELIABILITY DATA (INCLUDING DATASHEETS), DESIGN RESOURCES (INCLUDING REFERENCE DESIGNS), APPLICATION OR OTHER DESIGN ADVICE, WEB TOOLS, SAFETY INFORMATION, AND OTHER RESOURCES “AS IS” AND WITH ALL FAULTS, AND DISCLAIMS ALL WARRANTIES, EXPRESS OR IMPLIED, INCLUDING, WITHOUT LIMITATION, ANY IMPLIED WARRANTIES OF MERCHANTABILITY, FITNESS FOR A PARTICULAR PURPOSE, OR NON-INFRINGEMENT OF THIRD PARTY INTELLECTUAL PROPERTY RIGHTS.

These resources are intended for developers skilled in the art designing with Renesas products. You are solely responsible for (1) selecting the appropriate products for your application, (2) designing, validating, and testing your application, and (3) ensuring your application meets applicable standards, and any other safety, security, or other requirements. These resources are subject to change without notice. Renesas grants you permission to use these resources only for development of an application that uses Renesas products. Other reproduction or use of these resources is strictly prohibited. No license is granted to any other Renesas intellectual property or to any third party intellectual property. Renesas disclaims responsibility for, and you will fully indemnify Renesas and its representatives against, any claims, damages, costs, losses, or liabilities arising out of your use of these resources. Renesas' products are provided only subject to Renesas' Terms and Conditions of Sale or other applicable terms agreed to in writing. No use of any Renesas resources expands or otherwise alters any applicable warranties or warranty disclaimers for these products.

(Rev.1.0 Mar 2020)

Corporate Headquarters

TOYOSU FORESIA, 3-2-24 Toyosu,
Koto-ku, Tokyo 135-0061, Japan
www.renesas.com

Contact Information

For further information on a product, technology, the most up-to-date version of a document, or your nearest sales office, please visit:
www.renesas.com/contact/

Trademarks

Renesas and the Renesas logo are trademarks of Renesas Electronics Corporation. All trademarks and registered trademarks are the property of their respective owners.