

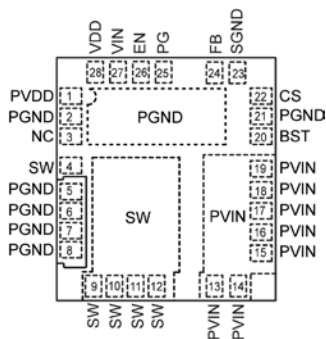
Brief Description

The ZSPM4023 and ZSPM4022 product families are constant-frequency, synchronous DC/DC buck regulators featuring adaptive on-time control architecture. The output voltage is adjustable down to 0.8V. The ZSPM4023 family operates over a supply range of 4.5V to 28V (24V typical). The supply range for the ZSPM4022 family is 4.5V to 19V (12V typical). Both families have an internal linear regulator that provides a regulated 5V to power the internal control circuitry. They operate at a constant 600kHz switching frequency in continuous-conduction mode. Each IC family includes three product versions that support different maximum load capabilities: 6A, 9A, and 12A.

Under medium to heavy loads, the ZSPM4023 and ZSPM4022 provide high efficiency and ultra-fast transient response via their rapid-control architecture. Under light load conditions, they maintain high efficiency and a superior transient response by transitioning to variable-frequency, discontinuous mode operation with their ultra-light-load architecture.

Both families offer a full suite of protection features to ensure protection of the IC during fault conditions. These include under-voltage lockout to ensure proper operation under power-sag conditions; thermal shutdown; internal soft-start to reduce inrush current; foldback current limiting; and “hiccup” mode short-circuit protection. A power good (PG) output pin is provided to allow simple sequencing.

Pin Configuration



Benefits

- Ultra-light load efficiency – up to 80% at 10mA
- Up to 95% efficiency
- Feedback reference accuracy as high as ±1%

Features

- Rapid-control architecture enables operation with a high input/output voltage ratio (e.g., for the ZSPM4023, $V_{IN} = 28V$ and $V_{OUT} = 0.8V$) and a small output capacitance
- Adjustable output voltage from 0.8V to 5.5V
- Universally compatible with most output capacitors – stable with zero to high ESR
- Power good (PG) output
- Foldback current limiting and “hiccup” mode short-circuit protection
- Safe start-up into pre-biased loads

Available Support

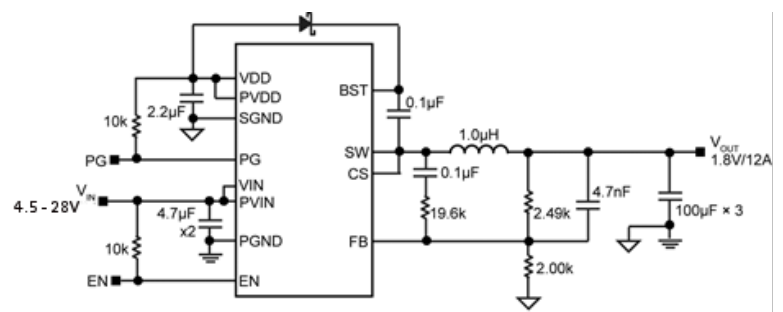
- Evaluation Kit
- Support documentation

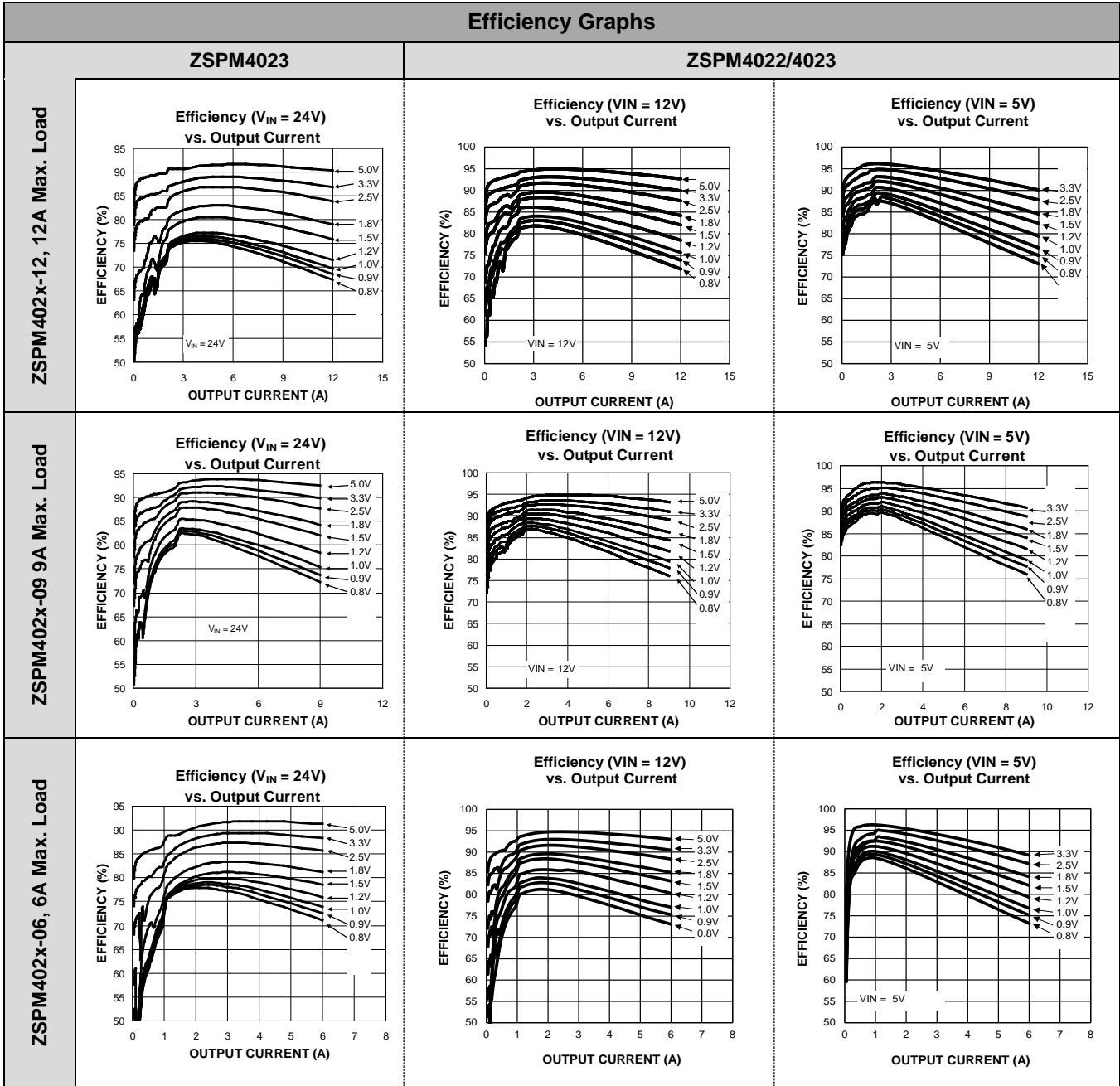
Physical Characteristics

- Switching frequency: 600kHz
- Junction temperature: $-40^{\circ}C$ to $+125^{\circ}C$
- 28-pin QFN package (5mm × 6mm)

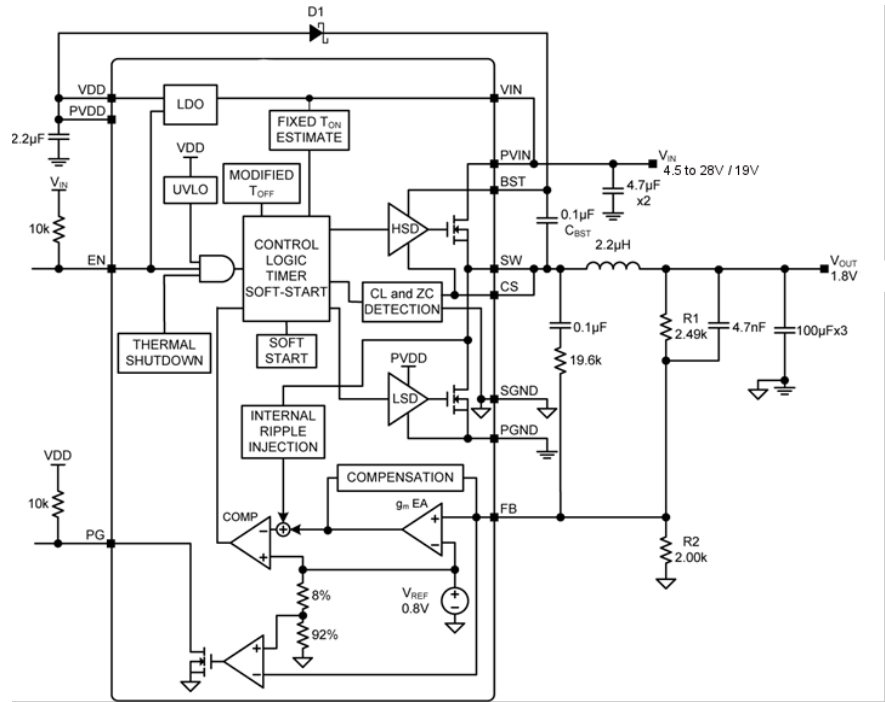
V_{IN}	12A	9A	6A
4.5V to 19V	ZSPM4022-12	ZSPM4022-09	ZSPM4022-06
4.5V to 28V	ZSPM4023-12	ZSPM4023-09	ZSPM4023-06

Example Application Circuit: ZSPM4023-12





**ZSPM4023/ZSPM4022
Functional Diagram**



Typical Applications

- ❖ Servers, workstations
- ❖ Routers, switches, and telecommunication equipment
- ❖ Base stations
- ❖ STB, high-end consumer electronics
- ❖ Distributed point-of-load

Ordering Information

Sales Code	Description	Package
ZSPM4022AA1W06	ZSPM4022-06, QFN28 5mmx6mm, 6A max. — Temperature range: -40°C to +125°C	7" Reel with 1000 ICs
ZSPM4022AA1W09	ZSPM4022-09, QFN28 5mmx6mm, 9A max. — Temperature range: -40°C to +125°C	7" Reel with 1000 ICs
ZSPM4022AA1W12	ZSPM4022-12, QFN28 5mmx6mm, 12A max. — Temperature range: -40°C to +125°C	7" Reel with 1000 ICs
ZSPM4023AA1W06	ZSPM4023-06, QFN28 5mmx6mm, 6A max. — Temperature range: -40°C to +125°C	7" Reel with 1000 ICs
ZSPM4023AA1W09	ZSPM4023-09, QFN28 5mmx6mm, 9A max. — Temperature range: -40°C to +125°C	7" Reel with 1000 ICs
ZSPM4023AA1W12	ZSPM4023-12, QFN28 5mmx6mm, 12A max.— Temperature range: -40°C to +125°C	7" Reel with 1000 ICs
ZSPM402x-yy-KIT	Evaluation Kit, including ZSPM402x-yy Evaluation Board (substitute product number for ZSPM402x-yy when ordering; e.g., ZSPM4022-06-KIT)	Kit

IMPORTANT NOTICE AND DISCLAIMER

RENESAS ELECTRONICS CORPORATION AND ITS SUBSIDIARIES (“RENESAS”) PROVIDES TECHNICAL SPECIFICATIONS AND RELIABILITY DATA (INCLUDING DATASHEETS), DESIGN RESOURCES (INCLUDING REFERENCE DESIGNS), APPLICATION OR OTHER DESIGN ADVICE, WEB TOOLS, SAFETY INFORMATION, AND OTHER RESOURCES “AS IS” AND WITH ALL FAULTS, AND DISCLAIMS ALL WARRANTIES, EXPRESS OR IMPLIED, INCLUDING, WITHOUT LIMITATION, ANY IMPLIED WARRANTIES OF MERCHANTABILITY, FITNESS FOR A PARTICULAR PURPOSE, OR NON-INFRINGEMENT OF THIRD PARTY INTELLECTUAL PROPERTY RIGHTS.

These resources are intended for developers skilled in the art designing with Renesas products. You are solely responsible for (1) selecting the appropriate products for your application, (2) designing, validating, and testing your application, and (3) ensuring your application meets applicable standards, and any other safety, security, or other requirements. These resources are subject to change without notice. Renesas grants you permission to use these resources only for development of an application that uses Renesas products. Other reproduction or use of these resources is strictly prohibited. No license is granted to any other Renesas intellectual property or to any third party intellectual property. Renesas disclaims responsibility for, and you will fully indemnify Renesas and its representatives against, any claims, damages, costs, losses, or liabilities arising out of your use of these resources. Renesas' products are provided only subject to Renesas' Terms and Conditions of Sale or other applicable terms agreed to in writing. No use of any Renesas resources expands or otherwise alters any applicable warranties or warranty disclaimers for these products.

(Rev.1.0 Mar 2020)

Corporate Headquarters

TOYOSU FORESIA, 3-2-24 Toyosu,
Koto-ku, Tokyo 135-0061, Japan
www.renesas.com

Contact Information

For further information on a product, technology, the most up-to-date version of a document, or your nearest sales office, please visit:
www.renesas.com/contact/

Trademarks

Renesas and the Renesas logo are trademarks of Renesas Electronics Corporation. All trademarks and registered trademarks are the property of their respective owners.