

Brief Description

The ZSPM4121 battery management load switch can be used to protect a battery from excessive discharge. It actively monitors the battery voltage and disconnects the battery from the load if the battery drops below a set voltage threshold. When the input battery voltage reaches 500mV above the set voltage threshold, the load switch turns on and connects the battery to the load. The 500mV hysteresis between the Off Mode and the On Mode prevents intermittent operation.

The voltage threshold (V_{THRESH}) can be programmed at manufacturing to a customer-selected set point in the voltage range of 1.2V to 4.2V in 100mV increments to support a wide range of applications in consumer, medical, portable, and industrial applications.

This device has ultra-low quiescent current, which makes it ideal for battery-powered applications. Typical quiescent current is 100pA in the Off Mode and 70nA in the On Mode.

The ZSPM4121 includes a slew rate control P-channel load switch, over-current protection, and an open-drain power indicator pin (NPG). The slew-rate controlled turn-on characteristic prevents inrush current and voltage droop on the voltage. The over-current limit protects the device in case of an overload, short-circuit, or ground fault event.

Benefits

- Best-in-class ultra-low quiescent current in Off Mode: 100pA (typical)
- Ultra-low quiescent current in On Mode: 70nA (typical)
- Accurate on/off voltage threshold
- Low $R_{ds(on)}$: 175m Ω (typical) @ 5V

Features

- Threshold voltage options of 1.2V to 4.2V in 100mV steps (factory programmed)
- Wide input voltage range: 1.2V to 5.5V
- Supervisory over-current limit shutdown: (3A)
- Low drop-out disconnect from VCC to loads
- Controlled turn-on slew rate
- 500mV Off Mode to On Mode hysteresis

Related IDT Smart Power Products

- ZSPM4141 Ultra-Low-Power Linear Regulator

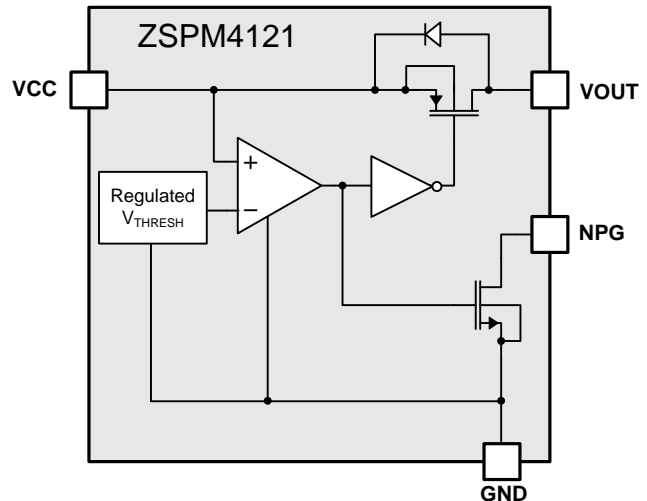
Available Support

- Evaluation Kit
- Support Documentation

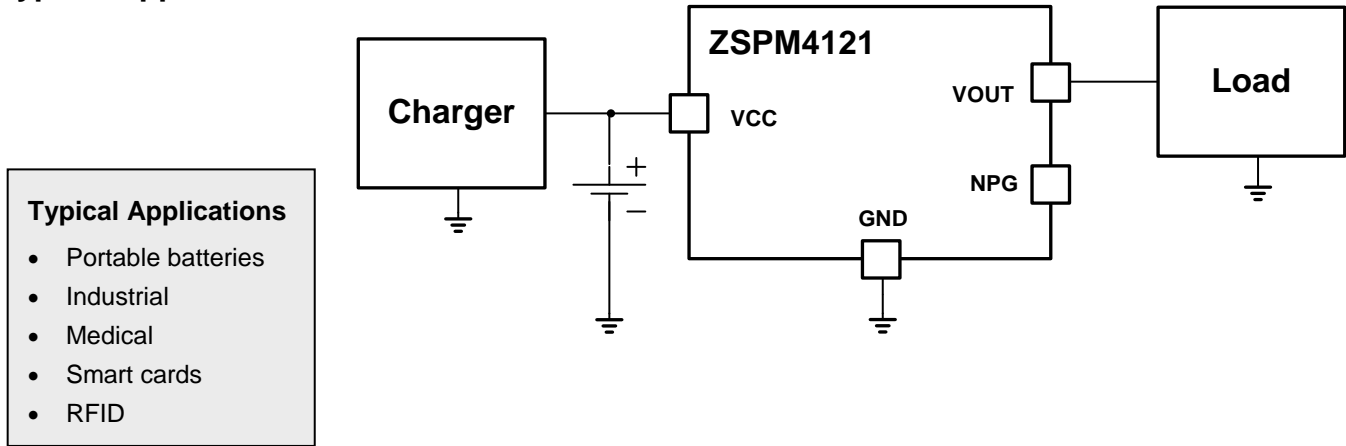
Physical Characteristics

- Package: 8-pin DFN (2mm x 2mm)

ZSPM4121 Block Diagram



Typical Application Circuit



Ordering Information

Ordering Code*	Description	Package
ZSPM4121AI1W17	ZSPM4121 Under-Voltage Load Switch— V_{THRESH} factory set to 1.7V	8-pin DFN / 7" Reel (2500)
ZSPM4121AI1W21	ZSPM4121 Under-Voltage Load Switch— V_{THRESH} factory set to 2.1V	8-pin DFN / 7" Reel (2500)
ZSPM4121AI1W23	ZSPM4121 Under-Voltage Load Switch— V_{THRESH} factory set to 2.3V	8-pin DFN / 7" Reel (2500)
ZSPM4121AI1W24	ZSPM4121 Under-Voltage Load Switch— V_{THRESH} factory set to 2.4V	8-pin DFN / 7" Reel (2500)
ZSPM4121AI1W25	ZSPM4121 Under-Voltage Load Switch— V_{THRESH} factory set to 2.5V	8-pin DFN / 7" Reel (2500)
ZSPM4121AI1W26	ZSPM4121 Under-Voltage Load Switch— V_{THRESH} factory set to 2.6V	8-pin DFN / 7" Reel (2500)
ZSPM4121AI1W28	ZSPM4121 Under-Voltage Load Switch— V_{THRESH} factory set to 2.8V	8-pin DFN / 7" Reel (2500)
ZSPM4121AI1W30	ZSPM4121 Under-Voltage Load Switch— V_{THRESH} factory set to 3.0V	8-pin DFN / 7" Reel (2500)
ZSPM4121KIT	ZSPM4121 Evaluation Kit	

* For a 13" reel (3300 parts), replace the W in the ordering code with an R. Custom V_{THRESH} values are also available: 1.2V to 4.2V (typical) in 100mV increments.

IMPORTANT NOTICE AND DISCLAIMER

RENESAS ELECTRONICS CORPORATION AND ITS SUBSIDIARIES (“RENESAS”) PROVIDES TECHNICAL SPECIFICATIONS AND RELIABILITY DATA (INCLUDING DATASHEETS), DESIGN RESOURCES (INCLUDING REFERENCE DESIGNS), APPLICATION OR OTHER DESIGN ADVICE, WEB TOOLS, SAFETY INFORMATION, AND OTHER RESOURCES “AS IS” AND WITH ALL FAULTS, AND DISCLAIMS ALL WARRANTIES, EXPRESS OR IMPLIED, INCLUDING, WITHOUT LIMITATION, ANY IMPLIED WARRANTIES OF MERCHANTABILITY, FITNESS FOR A PARTICULAR PURPOSE, OR NON-INFRINGEMENT OF THIRD PARTY INTELLECTUAL PROPERTY RIGHTS.

These resources are intended for developers skilled in the art designing with Renesas products. You are solely responsible for (1) selecting the appropriate products for your application, (2) designing, validating, and testing your application, and (3) ensuring your application meets applicable standards, and any other safety, security, or other requirements. These resources are subject to change without notice. Renesas grants you permission to use these resources only for development of an application that uses Renesas products. Other reproduction or use of these resources is strictly prohibited. No license is granted to any other Renesas intellectual property or to any third party intellectual property. Renesas disclaims responsibility for, and you will fully indemnify Renesas and its representatives against, any claims, damages, costs, losses, or liabilities arising out of your use of these resources. Renesas' products are provided only subject to Renesas' Terms and Conditions of Sale or other applicable terms agreed to in writing. No use of any Renesas resources expands or otherwise alters any applicable warranties or warranty disclaimers for these products.

(Rev.1.0 Mar 2020)

Corporate Headquarters

TOYOSU FORESIA, 3-2-24 Toyosu,
Koto-ku, Tokyo 135-0061, Japan
www.renesas.com

Contact Information

For further information on a product, technology, the most up-to-date version of a document, or your nearest sales office, please visit:
www.renesas.com/contact/

Trademarks

Renesas and the Renesas logo are trademarks of Renesas Electronics Corporation. All trademarks and registered trademarks are the property of their respective owners.