

Brief Description

The ZSPM9015 is IDT's next-generation, fully optimized, ultra-compact, integrated MOSFET plus driver power stage solution for high-current, high-frequency, synchronous buck DC-DC applications. The ZSPM9015 integrates a driver IC, two power MOSFETs, and a bootstrap Schottky diode into a thermally enhanced, ultra-compact 6x6mm package.

With an integrated approach, the complete switching power stage is optimized with regard to driver and MOSFET dynamic performance, system inductance, and power MOSFET $R_{DS(ON)}$. The ZSPM9015 uses innovative high-performance MOSFET technology, which dramatically reduces switch ringing, eliminating the need for a snubber circuit in most buck converter applications.

A driver IC with reduced dead times and propagation delays further enhances the performance. A thermal warning function indicates if a potential over-temperature situation ($>150^{\circ}\text{C}$) has occurred. An automatic thermal shutdown activates if an over-temperature condition ($>180^{\circ}\text{C}$) is detected. The ZSPM9015 also incorporates a Zero Current Detection Mode (ZCD) for improved light-load efficiency and provides a tri-state 3.3V and 5V PWM input for compatibility with a wide range of PWM controllers.

The ZSPM9015 DrMOS is compatible with IDT's ZSPM1000, a leading-edge configurable digital power-management system controller designed for non-isolated point-of-load (POL) supplies.

Features

- High-current handling: up to 35A
- PWM input capable of 3.3V and 5V
- Optimized for switching frequencies up to 1MHz
- Zero-current detection and under-voltage lockout (UVLO)
- Thermal shutdown and warning flag for over-temperature conditions
- Driver output disable function (DISB# pin)
- Integrated Schottky diode technology in the low-side MOSFET
- Integrated bootstrap Schottky diode
- Adaptive gate drive timing for shoot-through protection

Benefits

- Improved efficiency with zero current detection
- Clean switching waveforms with minimal ringing
- Based on the Intel® 4.0 DrMOS standard
- 72% space-saving compared to conventional discrete solutions
- High current handling
- Optimized for use with IDT's ZSPM1000 true digital PWM controller

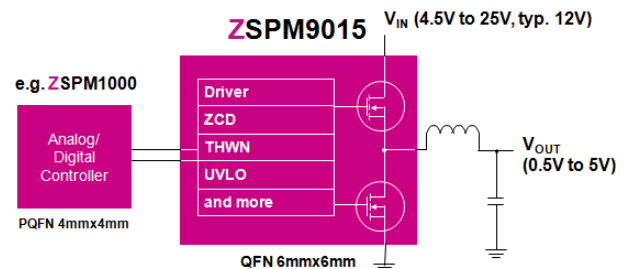
Available Support

- ZSPM8015-KIT: Evaluation Kit for ZSPM9015

Physical Characteristics

- Operation temperature: 0°C to $+150^{\circ}\text{C}$
- V_{IN} : 4.5V to 25V (typical 12V)
- I_{OUT} : up to 35A
- Low-profile SMD package: 6mmx6mm QFN40
- IDT green packaging and RoHS compliant

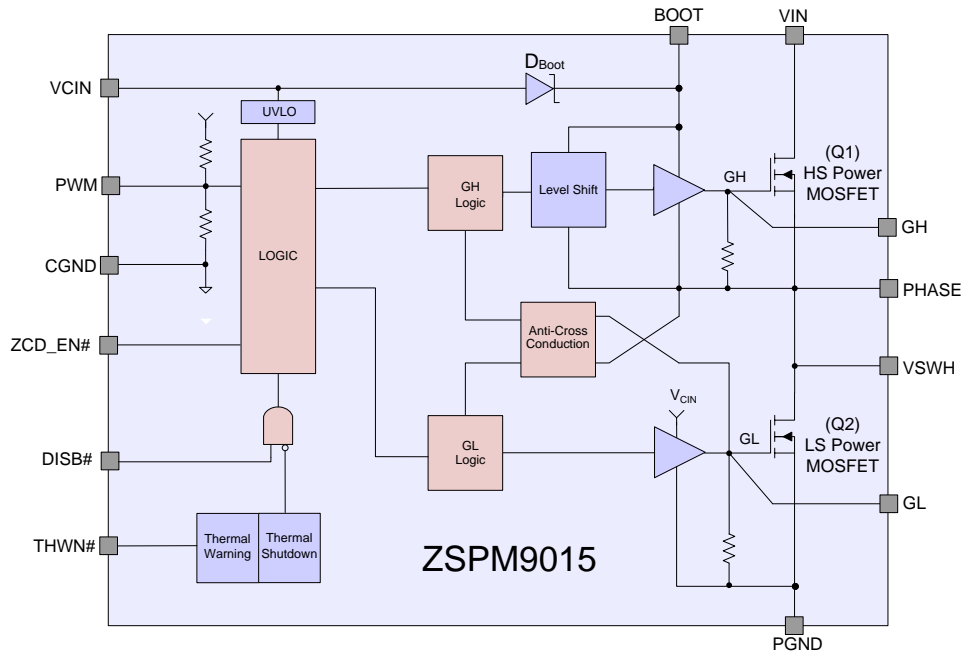
Typical Application



ZSPM9015 Block Diagram

Typical Applications

- High-performance gaming motherboards
- Compact blade servers, Vcore and non-Vcore DC-DC converters
- Desktop computers, Vcore and Non-Vcore DC-DC converters
- Workstations
- High-current DC-DC point-of-load converters
- Networking and telecom microprocessor voltage regulators
- Small form-factor voltage regulator modules



Ordering Information

Product Sales Code	Description	Package
ZSPM9015Z11R	ZSPM9015 RoHS-Compliant QFN40 – Junction temperature range: 0°C to 150°C	Reel
ZSPM8015-KIT	Evaluation Kit for ZSPM9015	Kit

IMPORTANT NOTICE AND DISCLAIMER

RENESAS ELECTRONICS CORPORATION AND ITS SUBSIDIARIES (“RENESAS”) PROVIDES TECHNICAL SPECIFICATIONS AND RELIABILITY DATA (INCLUDING DATASHEETS), DESIGN RESOURCES (INCLUDING REFERENCE DESIGNS), APPLICATION OR OTHER DESIGN ADVICE, WEB TOOLS, SAFETY INFORMATION, AND OTHER RESOURCES “AS IS” AND WITH ALL FAULTS, AND DISCLAIMS ALL WARRANTIES, EXPRESS OR IMPLIED, INCLUDING, WITHOUT LIMITATION, ANY IMPLIED WARRANTIES OF MERCHANTABILITY, FITNESS FOR A PARTICULAR PURPOSE, OR NON-INFRINGEMENT OF THIRD PARTY INTELLECTUAL PROPERTY RIGHTS.

These resources are intended for developers skilled in the art designing with Renesas products. You are solely responsible for (1) selecting the appropriate products for your application, (2) designing, validating, and testing your application, and (3) ensuring your application meets applicable standards, and any other safety, security, or other requirements. These resources are subject to change without notice. Renesas grants you permission to use these resources only for development of an application that uses Renesas products. Other reproduction or use of these resources is strictly prohibited. No license is granted to any other Renesas intellectual property or to any third party intellectual property. Renesas disclaims responsibility for, and you will fully indemnify Renesas and its representatives against, any claims, damages, costs, losses, or liabilities arising out of your use of these resources. Renesas' products are provided only subject to Renesas' Terms and Conditions of Sale or other applicable terms agreed to in writing. No use of any Renesas resources expands or otherwise alters any applicable warranties or warranty disclaimers for these products.

(Rev.1.0 Mar 2020)

Corporate Headquarters

TOYOSU FORESIA, 3-2-24 Toyosu,
Koto-ku, Tokyo 135-0061, Japan
www.renesas.com

Contact Information

For further information on a product, technology, the most up-to-date version of a document, or your nearest sales office, please visit:
www.renesas.com/contact/

Trademarks

Renesas and the Renesas logo are trademarks of Renesas Electronics Corporation. All trademarks and registered trademarks are the property of their respective owners.