

Brief Description

The ZSSC1750 and ZSSC1751 are System Basis Chips (SBCs) with a dual-channel ADC for battery sensing/management in automotive, industrial, and medical systems. The ZSSC1750 and ZSSC1751 feature an SPI interface; in addition, the ZSSC1750 has an integrated LIN 2.1 transceiver.

One of the two input channels measures the battery current I_{BAT} via the voltage drop at the external shunt resistor. The second channel measures the battery voltage V_{BAT} and the temperature.

By simultaneously measuring V_{BAT} and I_{BAT} , it is possible to determine dynamically the internal resistance of the battery, R_{di} , which is correlated with the state-of-health (SOH) of the battery. By integrating I_{BAT} , it is possible to determine the state-of-charge (SOC) and the state-of-function (SOF) of the battery.

During Sleep Mode, the system makes periodic measurements to monitor the discharge of the battery. Measurement cycles are controlled by user software and include various wake-up conditions. The ZSSC1750/51 is optimized for ultra-low power consumption drawing only 60µA or less in this mode.

Features

- Two high-precision 24-bit sigma-delta ADCs (18-bit with no missing codes); sample rate: 1Hz to 16kHz
- On-chip voltage reference (5ppm/K typical)
- Current channel
 - I_{BAT} offset error: $\leq 10\text{mA}$
 - I_{BAT} resolution: $\leq 1\text{mA}$
 - Programmable gain: 4 to 512
 - Max. differential input stage input range: $\pm 300\text{mV}$
- Voltage channel
 - Input range: 4 to 28.8V
 - Voltage accuracy: $\pm 60\text{ppm FSR}^* = 1.73\text{mV}$
- Temperature channel
 - External temperature sensor (NTC)
 - Factory-calibrated internal temp. sensor: $\pm 2^\circ\text{C}$
- LIN 2.1/SAE J2602-1 transceiver (ZSSC1750 only)
- Typical current consumption
 - Normal Mode: 12mA
 - Sleep Mode: $\leq 60\mu\text{A}$

Benefits

- Integrated, precision measurement solution for accurate prediction of battery state of health (SOH), state of charge (SOC), or state of function (SOF)
- Robust power-on-reset (POR) concept for harsh automotive environments
- On-chip precision oscillator accuracy: $\pm 1\%$
- On-chip low-power oscillator
- Only a few external components needed
- Easy communication via SPI interface
- Power supply, interrupt, and reset signals for external microcontroller
- Watchdog timer with dedicated oscillator
- Industry’s smallest footprint allows minimal module size and cost
- AEC-Q100 qualified solution

Available Support

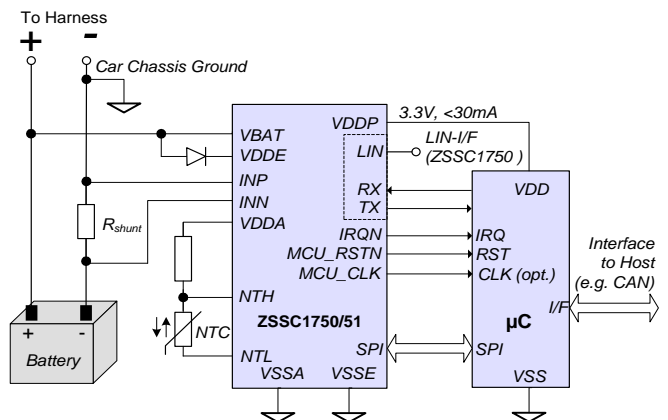
- Evaluation Kit
- Application Notes

Physical Characteristics

- Operation temperature up to -40°C to $+125^\circ\text{C}$
- Supply voltage: 4.2 to 18V
- Small footprint package: PQFN36 6x6 mm

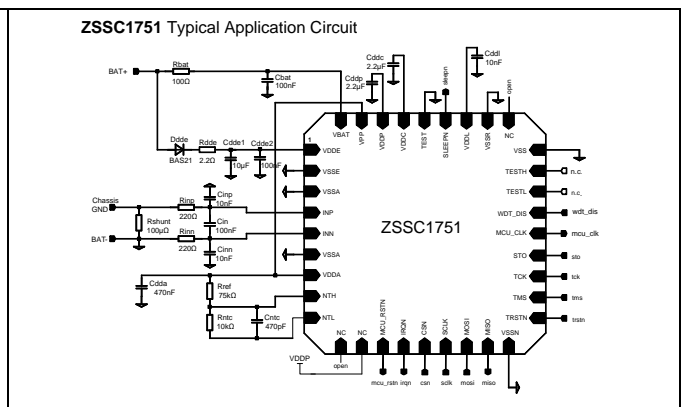
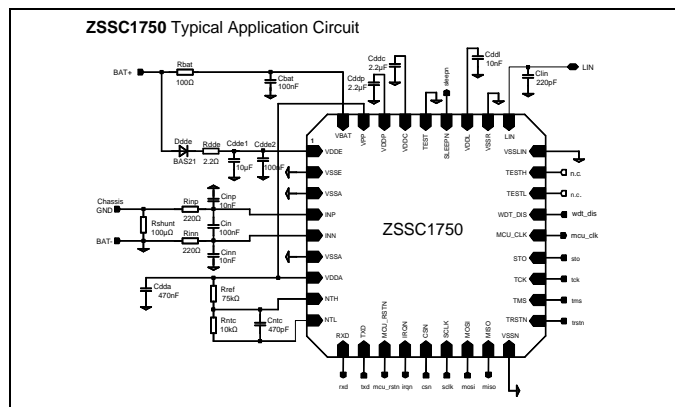
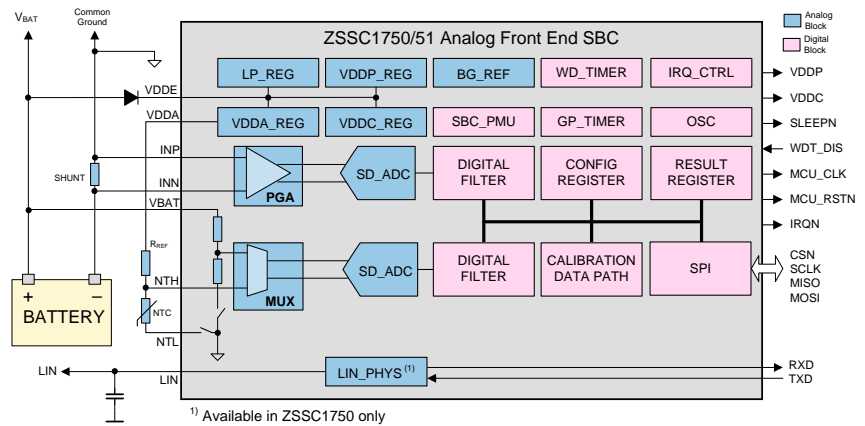
* FSR = full-scale range.

Basic ZSSC1750/51 Application Circuit



ZSSC1750/51 Block Diagram

- Applications**
- Intelligent battery monitoring in automotive applications; start/stop systems, e-bikes, scooters, and e-carts
 - Battery monitoring in Industrial, medical and photovoltaic applications;
 - High precision data acquisition



Ordering Information

Product Sales Code	Description	Package
ZSSC1750EA3R	ZSSC1750 Battery Sensing SBC—Temperature Range: -40°C to 125°C	PQFN36 6x6 mm, reel
ZSSC1751EA3R	ZSSC1751 Battery Sensing SBC—Temperature Range: -40°C to 125°C	PQFN36 6x6 mm, reel
ZSSC1750KIT V1.1	ZSSC1750/51 Evaluation Kit: modular evaluation and development board for ZSSC1750/51, 3 IC samples, and USB cable (software and documentation can be downloaded from www.IDT.com)	

IMPORTANT NOTICE AND DISCLAIMER

RENESAS ELECTRONICS CORPORATION AND ITS SUBSIDIARIES (“RENESAS”) PROVIDES TECHNICAL SPECIFICATIONS AND RELIABILITY DATA (INCLUDING DATASHEETS), DESIGN RESOURCES (INCLUDING REFERENCE DESIGNS), APPLICATION OR OTHER DESIGN ADVICE, WEB TOOLS, SAFETY INFORMATION, AND OTHER RESOURCES “AS IS” AND WITH ALL FAULTS, AND DISCLAIMS ALL WARRANTIES, EXPRESS OR IMPLIED, INCLUDING, WITHOUT LIMITATION, ANY IMPLIED WARRANTIES OF MERCHANTABILITY, FITNESS FOR A PARTICULAR PURPOSE, OR NON-INFRINGEMENT OF THIRD PARTY INTELLECTUAL PROPERTY RIGHTS.

These resources are intended for developers skilled in the art designing with Renesas products. You are solely responsible for (1) selecting the appropriate products for your application, (2) designing, validating, and testing your application, and (3) ensuring your application meets applicable standards, and any other safety, security, or other requirements. These resources are subject to change without notice. Renesas grants you permission to use these resources only for development of an application that uses Renesas products. Other reproduction or use of these resources is strictly prohibited. No license is granted to any other Renesas intellectual property or to any third party intellectual property. Renesas disclaims responsibility for, and you will fully indemnify Renesas and its representatives against, any claims, damages, costs, losses, or liabilities arising out of your use of these resources. Renesas' products are provided only subject to Renesas' Terms and Conditions of Sale or other applicable terms agreed to in writing. No use of any Renesas resources expands or otherwise alters any applicable warranties or warranty disclaimers for these products.

(Rev.1.0 Mar 2020)

Corporate Headquarters

TOYOSU FORESIA, 3-2-24 Toyosu,
Koto-ku, Tokyo 135-0061, Japan
www.renesas.com

Contact Information

For further information on a product, technology, the most up-to-date version of a document, or your nearest sales office, please visit:
www.renesas.com/contact/

Trademarks

Renesas and the Renesas logo are trademarks of Renesas Electronics Corporation. All trademarks and registered trademarks are the property of their respective owners.