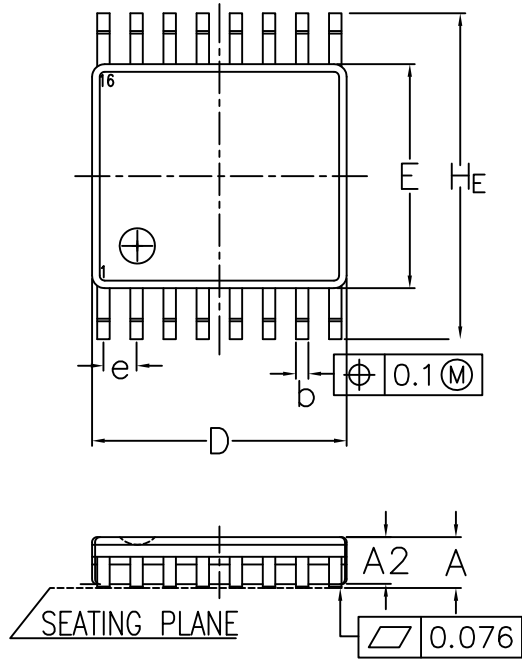
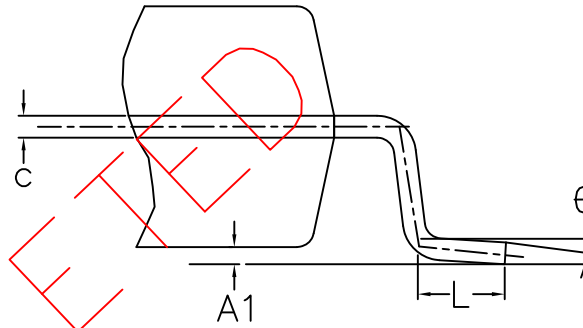


REVISIONS			
REV	DESCRIPTION	DATE	APPROVED
00	INITIAL RELEASE	2/29/16	J.H
OBS	OBSOLETE	1/26/18	Ron T.

1. DIMENSIONS



VIEW X



DIMENSIONS	min	max
A	0.90	1.20
A1	0.05	0.15
A2	0.80	1.05
b	0.19	0.30
c	0.09	0.20
D	4.90	5.10
E	4.30	4.50
e	0.65nom	
HE	6.20	6.60
L	0.45	0.75
θ	0°	8°

* WITHOUT MOLD FLASH

- 2. WEIGHT ≤ 0.05 g
- 3. BODY MATERIAL LOW STRESS EPOXY
- 4. LEAD MATERIAL Cu-ALLOY
- 5. LEAD FINISH SOLDER PLATING
- 6. LEAD FORM Z-BENDS

TOLERANCES UNLESS SPECIFIED		6024 Silver Creek Valley Rd San Jose, CA 95138 PHONE: (408) 284-8200 FAX: (408) 284-3572 www.IDT.com
DECIMAL	ANGULAR	
XXX±	±	
XXXX±		
APPROVALS	DATE	TITLE
DRAWN <i>RAC</i>	2/29/16	PGG16 PACKAGE OUTLINE 4.4mm TSSOP
CHECKED		
	SIZE	DRAWING No.
	C	PSC-4056-02
		REV
		OBS
DO NOT SCALE DRAWING		SHEET 1 OF 1