

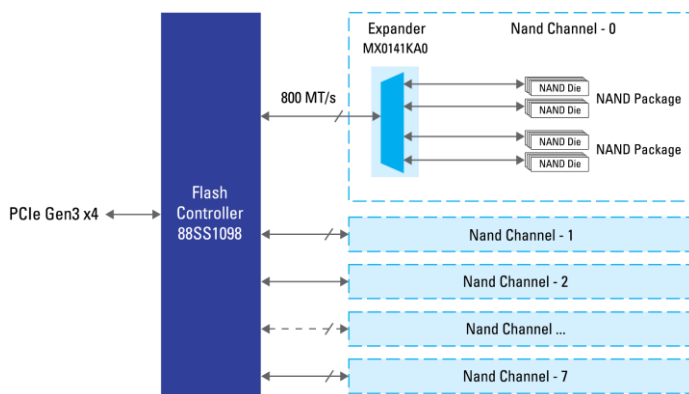
## Description

### U.2 8TB, PCIe Gen3 x4 Reference Design

The U.2, 7mm, Marvell® Reference design uses the latest high-performance enterprise SSD controller from Marvell along with the high-performance 1:4 expander/multiplexer from IDT. Together, this combination allows for maximum speeds of up to 800MT/s per channel without compromising capacity.

Each channel supports 512Gb die × 16 for a total of 1TB of flash capacity per channel. Without using the high performance 1:4 expander, the capacitive loading of 16 die would create signal integrity issues and make this level of performance prohibitive.

**Figure 1. Reference Design Block Diagram**



### 88SS1098 Controller

The Marvell 88SS1098 enables high-performance and high-capacity SSDs for use in enterprise and data center environments. Leveraging a quad-core Arm® Cortex®-R5 architecture with support for up to 8GB DRAM, these controllers can enable high-performance SSDs to meet the demands of the most challenging workloads.

For enterprise use cases, the 88SS1098 can also support PCIe Gen3 x4 dual port (active/active) to enable high availability systems. The 88SS1098 leverages the latest Marvell Gen4 NANDEdge™ LDPC engine for extracting the highest performance from MLC and TLC memories while providing the most P/E cycles. The device also supports TCG standards including an AES engine and OTP storage for secure drive configuration.

## Reference Design Features

### Controller Features

- Quad Cortex®-R5 CPUs
  - Dynamic Branch Prediction
  - DMA controller
  - PCIe Gen3 x4 (with dual port support)
- DDR Controller
  - Up to 8GB DDR3, DDR4, LPDDR3, LPDDR4 at speeds up to 2400MT/s with ECC support
- Flash Controller
  - 8 Channels at 800MT/s
  - ONFI 2.2/2.3/3.0/4.0, JEDEC mode and Toggle 1.0/2.0

### 1:4 High Performance Expander Features

#### Main Features

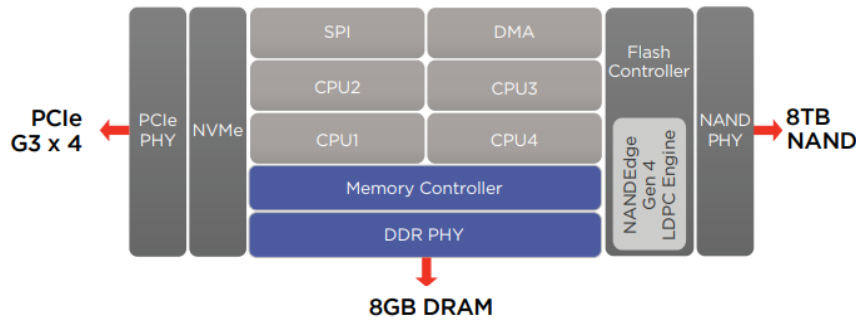
- 1:4 high bandwidth 16-bit bus multiplexer
- SSTL18 and SSTL12 signaling
- Supports ONFI 3.0, 4.0, 4.1 and Toggle NAND Flash
- 4.0 × 11 mm FCCSP package with 0.65/0.5mm ball pitch

#### High-Speed MUX Features

- Bidirectional passive port switches
- Pull-up/Pull-down/Tristate/bus-hold for deselected ports
- Pin-to-pin output skew < 30ps (within a port)
- Pin-to-pin output skew < 10ps (Differential pairs)
- Propagation delay < 150ps
- Insertion loss < 1dB at 800MHz

#### Low Speed MUX/Control Logic Features

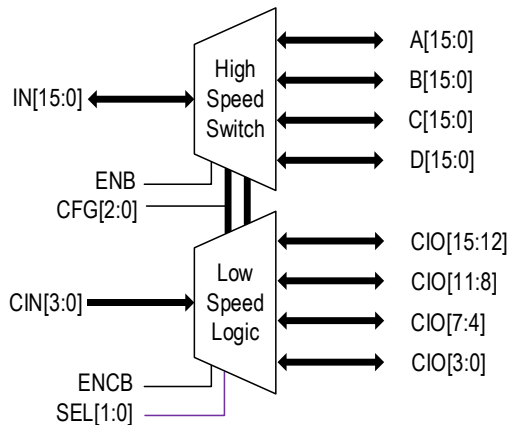
- 4-bit in, 16-bit input/output logic targeted for Chip Enables or port selections
- Multiplexing or decoding
- Unidirectional, active multiplexing
- Multiple function selected via the CFG pins

**Figure 2. 88SS1098 Controller Block Diagram**


### MX0141KA0 1:4 High Performance Expander

The 1:4 high-speed MUX is comprised of a high-speed 1:4 multiplexer (mux) path and a low speed multi-function control logic path. The high-speed path consists of four passive switches that connect input port “IN” to four 16-bit output ports A, B, C, and D. The passive switches, which closed selectively, forms a bidirectional multiplexer.

The low-speed path is active multi-function IOs that can be configured in different modes. It can be configured as unidirectional 1:4 mux with 4-bit port width, 4:16 decoder, or 16-bit signals for port selection. The CIO pins can be used to drive Chip Enable pins of the NAND Dies, or be used as a high-speed mux selector.

**Figure 3. MX1014KA0 Block Diagram**

**Corporate Headquarters**

6024 Silver Creek Valley Road  
San Jose, CA 95138  
[www.IDT.com](http://www.IDT.com)

**Sales**

1-800-345-7015 or 408-284-8200  
Fax: 408-284-2775  
[www.IDT.com/go/sales](http://www.IDT.com/go/sales)

**Tech Support**

[www.IDT.com/go/support](http://www.IDT.com/go/support)

DISCLAIMER Integrated Device Technology, Inc. (IDT) and its affiliated companies (herein referred to as "IDT") reserve the right to modify the products and/or specifications described herein at any time, without notice, at IDT's sole discretion. Performance specifications and operating parameters of the described products are determined in an independent state and are not guaranteed to perform the same way when installed in customer products. The information contained herein is provided without representation or warranty of any kind, whether express or implied, including, but not limited to, the suitability of IDT's products for any particular purpose, an implied warranty of merchantability, or non-infringement of the intellectual property rights of others. This document is presented only as a guide and does not convey any license under intellectual property rights of IDT or any third parties.

IDT's products are not intended for use in applications involving extreme environmental conditions or in life support systems or similar devices where the failure or malfunction of an IDT product can be reasonably expected to significantly affect the health or safety of users. Anyone using an IDT product in such a manner does so at their own risk, absent an express, written agreement by IDT.

Integrated Device Technology, IDT and the IDT logo are trademarks or registered trademarks of IDT and its subsidiaries in the United States and other countries. Other trademarks used herein are the property of IDT or their respective third party owners. For datasheet type definitions and a glossary of common terms, visit [www.idt.com/go/glossary](http://www.idt.com/go/glossary). All contents of this document are copyright of Integrated Device Technology, Inc. All rights reserved.